



Grippers | Parallel grippers

Series 126 – Parallel gripper compact

Series 126 – Parallel gripper compact



Product notes

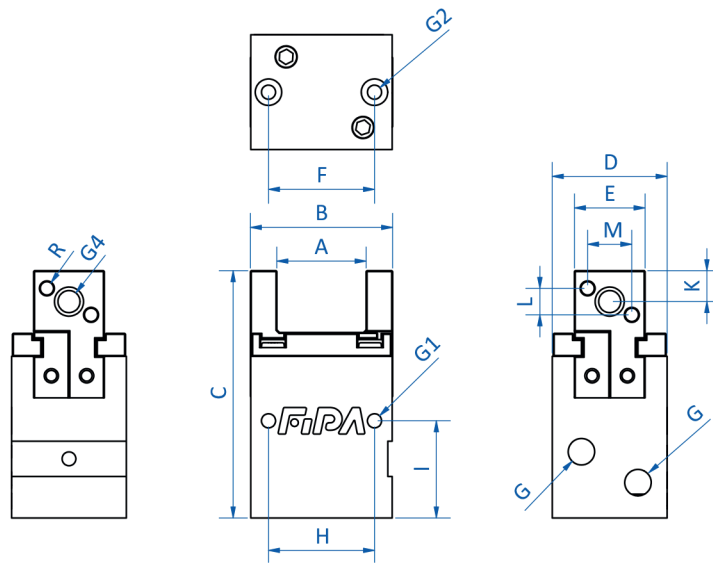
- > Compact parallel gripper for small and medium-sized workpieces.
- > Double-acting for internal and external gripping as well as short cycle times, one compressed air connection each for opening and closing
- > Optional detection of the piston position
- > Self-centering gripper jaws with positioning repeatability
- > Two different finger lengths available for different space requirements

Technical data

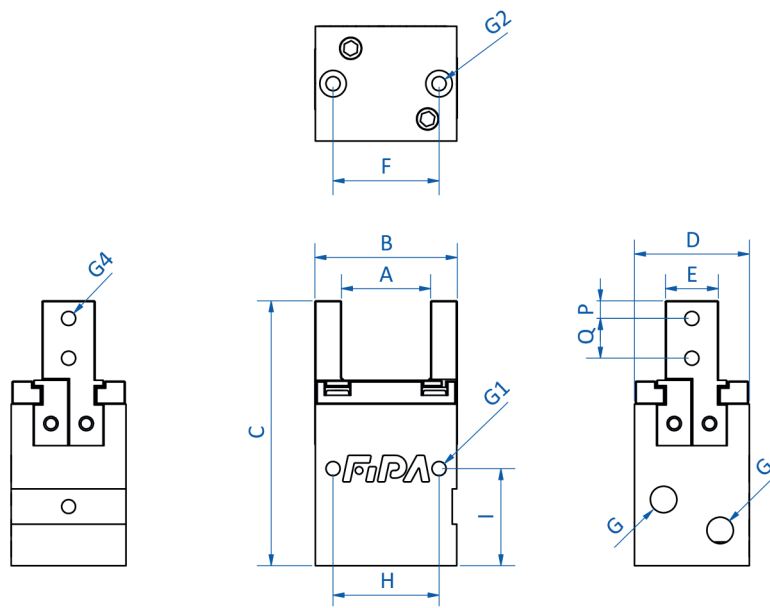
Item no.	GR04.126-08-S-N	GR04.126-08-L-N	GR04.126-10-S-M	GR04.126-10-L-M	GR04.126-12-L-M	GR04.126-16-L-M	GR04.126-20-L-M
Principle of operation	double-acting	double-acting	double-acting	double-acting	double-acting	double-acting	double-acting
Operating pressure [bar (psi)]	1.5 - 7 (21.8 - 101.5)	1.5 - 7 (21.8 - 101.5)	1.5 - 7 (21.8 - 101.5)	1.5 - 7 (21.8 - 101.5)	1.5 - 7 (21.8 - 101.5)	1.5 - 7 (21.8 - 101.5)	1.5 - 7 (21.8 - 101.5)
Piston diameter [mm]	8	8	10	10	12	16	20
Stroke per gripper jaw [mm]	1.5	1.5	2	2	3	4	6
Closing force at 6 bar (87 psi) [N]	11.8	11.8	13.8	13.8	22.5	49	85
Opening force at 6 bar (87 psi) [N]	12.8	12.8	27	27	27	56	102
Gripping point distance of the closing and opening force specification [mm]	10	10	10	10	20	20	20
Max. operating frequency [1/min]	100	100	100	100	100	100	100
Jaw	short	long	short	long	long	long	long
Compressed air connection	M3	M3	M3	M3	M3	M5	M5
Sensor	no	no	optional	optional	optional	optional	optional
Ambient air temperature [°C (°F)]	0 - 60 (32 - 140)	0 - 60 (32 - 140)	0 - 60 (32 - 140)	0 - 60 (32 - 140)	0 - 60 (32 - 140)	0 - 60 (32 - 140)	0 - 60 (32 - 140)
Weight [g]	22	22	38	38	57	108	173



Dimensions



GR04.126-08-S-N



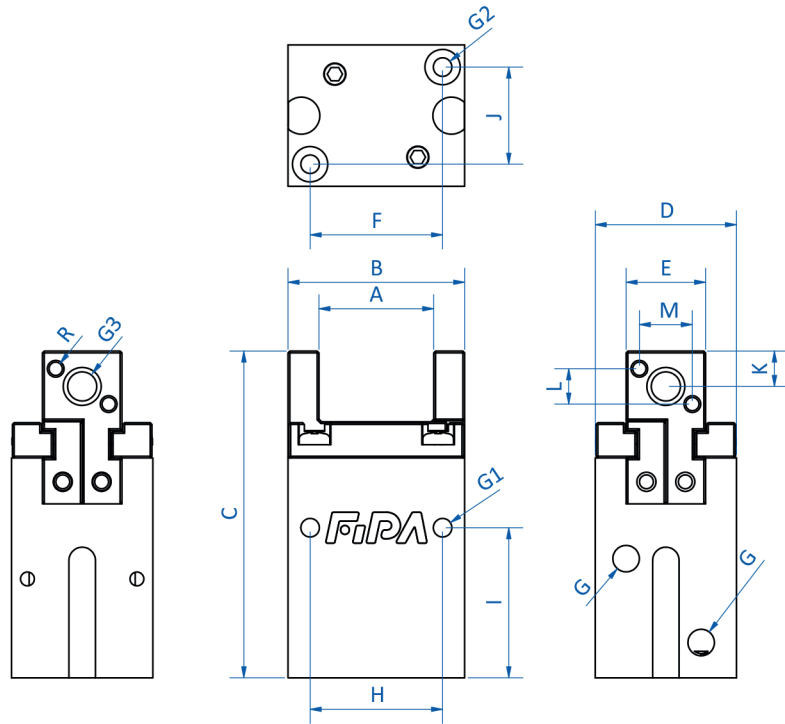
GR04.126-08-L-N



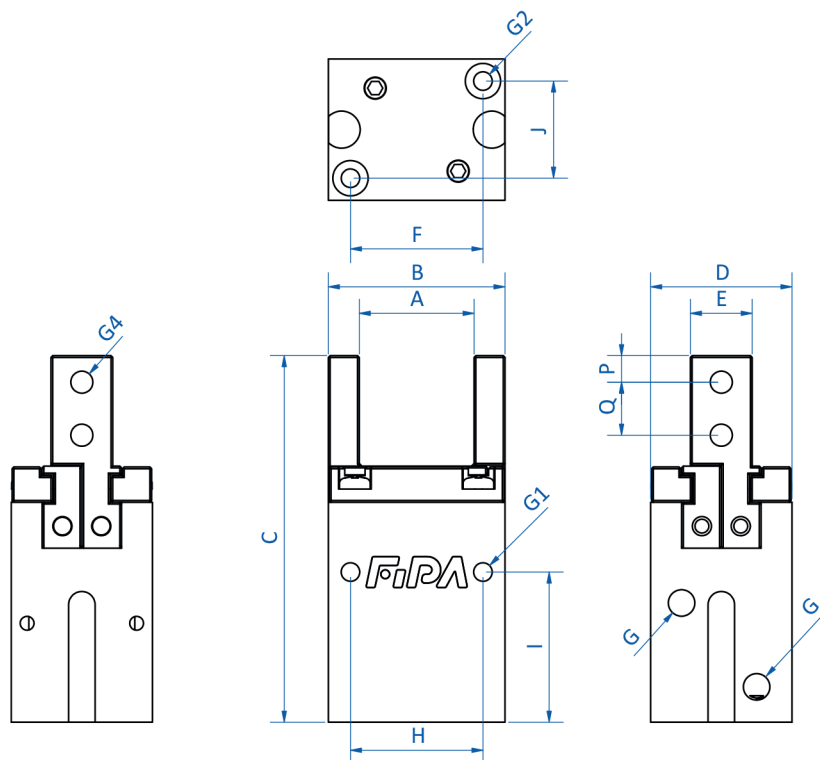
Grippers | Parallel grippers

Series 126 – Parallel gripper compact

Dimensions



GR04.126-10-S-M



GR04.126-10-L-M | GR04.126-12-L-M | GR04.126-16-L-M | GR04.126-20-L-M



Item no.	GR04.126-08-S-N	GR04.126-08-L-N	GR04.126-10-S-M	GR04.126-10-L-M	GR04.126-12-L-M	GR04.126-16-L-M	GR04.126-20-L-M
A [mm]	10.1	10.1	13	13	17.2	22.2	28.2
B [mm]	16.1	16.1	20	20	25.2	32.2	40.2
C [mm]	28	30	37	41.5	44.5	52	60
D [mm]	13	13	16	16	18	22	26
E [mm]	8	6	9	7	9	11	12
F [mm]	12	12	15	15	20	25	32
G	M3	M3	M3	M3	M3	M5	M5
G1	M2	M2	M2.5	M2.5	M3	M4	M4
G2	M2	M2	M2.5	M2.5	M3	M4	M4
G3	M3	--	M4	--	--	--	--
G4	--	M3	--	M4	M4	M5	M5
H [mm]	12	12	15	15	20	25	32
I [mm]	11	11	17	17	19	22	25
J [mm]	--	--	11	11	12	15	16
K [mm]	3.5	--	4	--	--	--	--
L [mm]	3	--	4	--	--	--	--
M [mm]	5	--	6	--	--	--	--
P [mm]	--	2	--	3	3	3	4
Q [mm]	--	4.5	--	6	7	7	8.5
Ø R [mm]	1.5	--	1.5	--	--	--	--