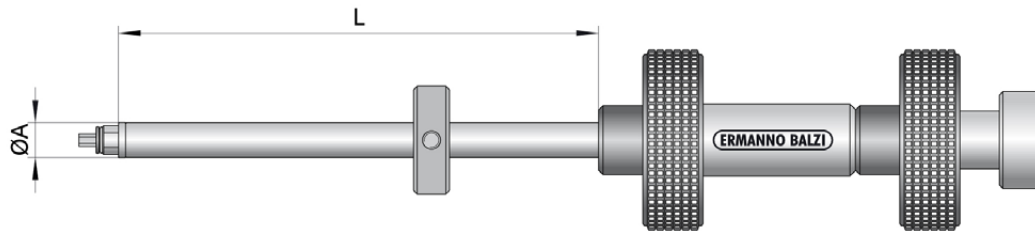
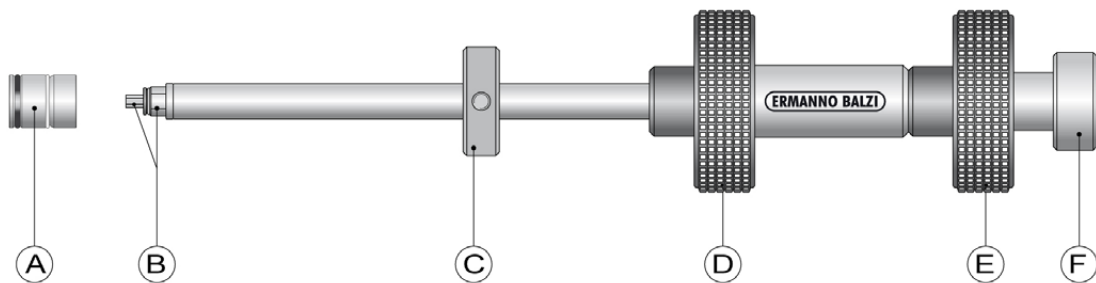


# ASSEMBLY DEVICE



CODE	A	L
APT-0	5,9	250
APT-1	7,7	400
APT-2	9,7	800
APT-3	14	1000

N.B.: on demand the rod can be supplied in special lengths.

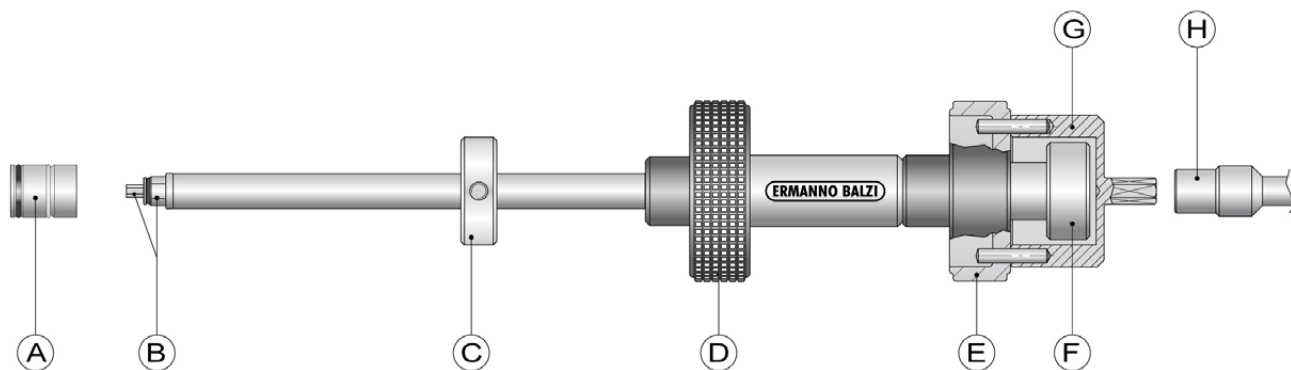


## PLUGS ASSEMBLY

1. Assemble the plug "A" on the two hexagons "B" verifying that it's well inserted.
2. Holding the handle "E" tight, screw the handle "F", blocking it with a light pressure.
3. Verify that the plug is hooked to the rod.
4. Insert the rod in the hole determining the position with the ring nut "C".
5. Holding the handle "D" tight, rotate the handle "E" counter-clockwise until it blocks .
6. Verify that the plug is blocked in the hole, pushing the rod forwards and backwards.
7. Holding the handle "E" tight, unscrew the handle "F" (1 or 2 turns are enough).
8. Remove the rod holding it preferably by the handle "D".

## PLUGS DISASSEMBLY

1. Insert the rod in the hole and, slightly rotating the handle "D" and "E", practice a light pressure on the plug until the two hexagons "B" have entered in their seats (the operation has happened when the handle "D" and "E" don't rotate anymore).
2. Holding the handle "E" tight, screw the handle "F" blocking it with a light pressure and verify that the plug is hooked, pulling the rod towards outside.
3. Holding the handle "D" tight, unblock the handle "E" clockwise.
4. Remove APT tool from the bore and unscrew the plug from APT rod.



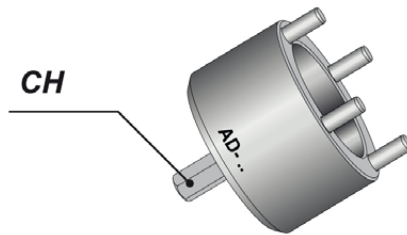
## PLUGS ASSEMBLY

1. Assemble the plug "A" on the two hexagons "B" verifying that it's well inserted.
2. Holding the handle "E" tight, screw the handle "F", locking it with a light pressure.
3. Verify that the plug is hooked to the rod.
4. Insert the rod in the hole determining the depth position with the ring nut "C".
5. Connect the torque adaptor "G" to the handle "E", holding the handle "D" rotate the torque adaptor "G" with a torque screwdriver "H" counter-clockwise. Torque force will have to be set according to suggested value.
6. Holding the handle "E" tight, unscrew the handle "F" (1 or 2 turns are enough).
7. Remove the rod holding it preferably by the handle "D".

## PLUGS DISASSEMBLY

1. Insert the rod in the hole and, slightly rotating the handle "D" and "E", apply a light pressure on the plug until the two hexagons "B" have entered in their seats (the operation has completed when the handle "D" and "E" does not rotate anymore).
2. Holding the handle "E" tight, screw the handle "F" locking it with a light pressure and verify that the plug is connected, then pull the rod towards outside.
3. Holding the handle "D" tight, unlock the handle "E" clockwise.
4. Remove APT tool from the bore and unscrew the plug from APT rod.

# TORQUE ADAPTOR



CODE	PLUGS	TORQUE FORCE (Nm)	PRESSURE (BAR)	CH	ASSEMBLY DEVICE
AD-0	TRI-6L TRI-6C	1,5	40	1/4	APT-0
AD-1/2	TRI-8L TRI-8C	2	30	1/4	APT-1
	TRI-10L TRI-10C	2	30	1/4	APT-2
	TRI-11 TRI-11,5	5	30		
	TRI-12	5	30		
	TRI-14	6	30		
	TRI-15	8	30		
AD-3	TRI-16	15	30	3/8	APT-3
	TRI-18	15	15		
	TRI-19	15	15		
	TRI-20	15	15		
	TRI-25	15	15		