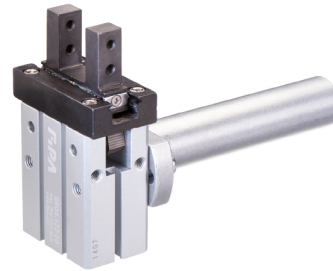
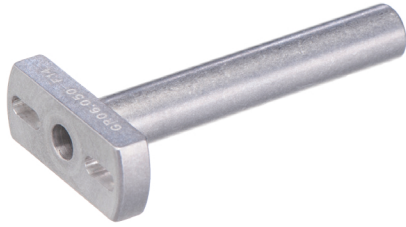




Grippers | Angular grippers

Mounting brackets for parallel and angular grippers

Mounting brackets for parallel and angular grippers



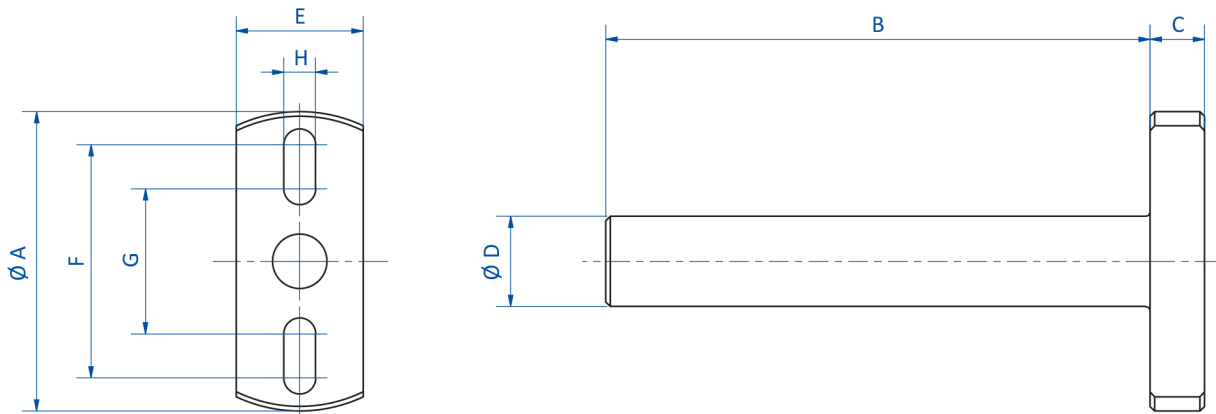
Product notes

- > Brackets for mounting parallel or angular grippers to extrusions
- > Compatible with many brands of grippers due to slotted mounting holes

Technical data

Item no.	Suitable for	Weight [g]
GR06.050	GR04.122-10, GR04.123-10	14
GR06.051	GR04.122-16, GR04.123-16	16
GR06.052	GR04.122-20, GR04.123-20	52
GR06.053	GR04.122-25, GR04.123-25	56
GR06.054	GR04.122-32, GR04.123-32	110
GR06.055	GR04.122-40	152

Dimensions



Item no.	Ø A [mm]	B [mm]	C [mm]	Ø D [mm]	E [mm]	F [mm]	G [mm]	H [mm]
GR06.050	33	60	6	10	14	25.7	16	3.5
GR06.051	39	60	6	14	18	32.5	22	4.5
GR06.052	49	90	8	20	24	40	30	5.5
GR06.053	59	90	8	20	24	50	32	6.5
GR06.054	64	120	8	30	32	53	44	6.5
GR06.055	79	120	10	30	40	64.5	56	8.5