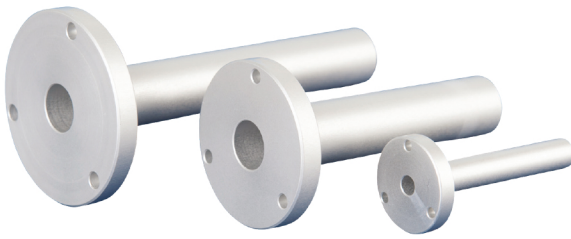




Mounting brackets for 3-finger grippers



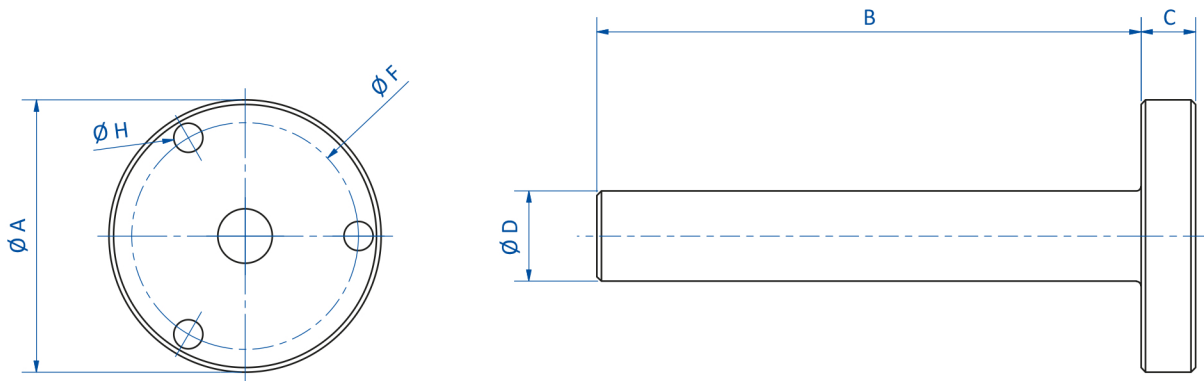
Product notes

> Brackets for mounting 3-finger parallel grippers to extrusions

Technical data

Item no.	Suitable for	Weight [g]
GR06.125-16	GR04.125-16L	18
GR06.125-25	GR04.125-25L	34
GR06.125-32	GR04.125-32L	74
GR06.125-40	GR04.125-40L	102
GR06.125-50	GR04.125-50L	232
GR06.125-60	GR04.125-60L	216
GR06.125-80	GR04.125-80L	388

Dimensions



Item no.	Ø A [mm]	B [mm]	C [mm]	Ø D [mm]	Ø F [mm]	Ø H [mm]
GR06.125-16	30	60	6	10	25	3.2
GR06.125-25	42	90	6	14	34	4.2
GR06.125-32	52	90	8	20	44	4.2
GR06.125-40	62	120	8	20	53	5.3
GR06.125-50	70	150	8	30	62	5.3
GR06.125-60	86	150	8	30	76	6.3
GR06.125-80	106	150	10	30	95	6.3