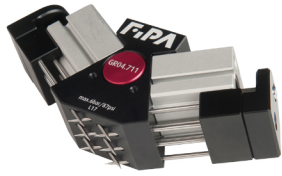




Grippers | Needle grippers

Needle grippers GR04.711

Needle grippers GR04.711



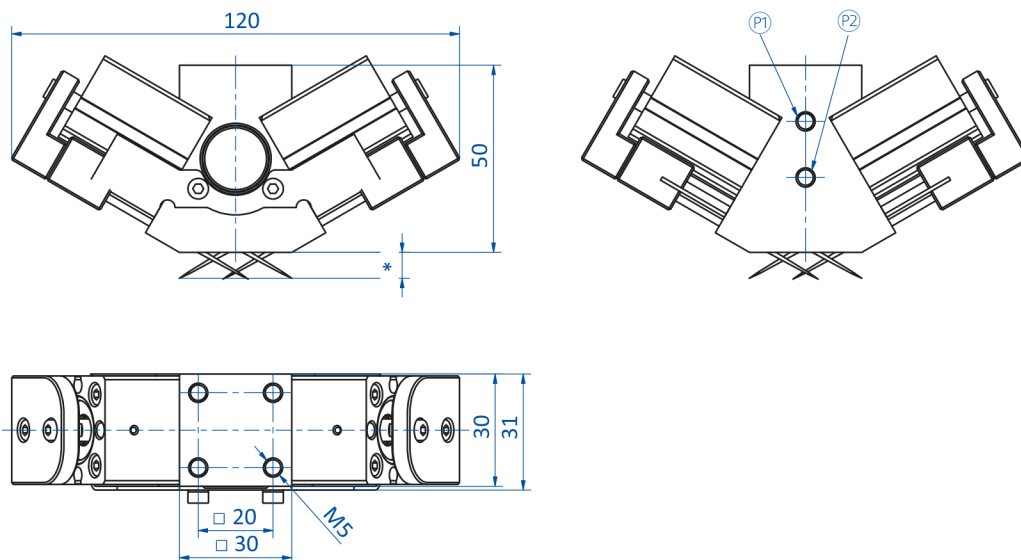
Product notes

- > Gripper for materials that are non-dimensionally stable or difficult to handle with vacuum
- > Stroke limitation by spacer plates
- > Needles centrally crossed for firm grip
- > Double-acting enables short duty cycles: separate compressed air connections for extraction/retraction of needles
- > Needles can be individually replaced

Technical data

Item no.	GR04.711-25	GR04.711-40	GR04.711-60
Principle of operation	Double-acting	Double-acting	Double-acting
Stroke [mm]	2.5	4	6
Number of needles [Pcs.]	12	12	12
Needle diameter [mm]	2	2	2
Infeed angle [°]	30	30	30
Operating pressure [bar (psi)]	2.5 - 8 (36.3 - 116)	2.5 - 8 (36.3 - 116)	2.5 - 8 (36.3 - 116)
Operating temperature [°C (°F)]	-10 - 60 (14 - 140)	-10 - 60 (14 - 140)	-10 - 60 (14 - 140)
Weight [g]	313	311	310
Suitable spare needle block	GR04.711-P4	GR04.711-P4	GR04.711-P4

Dimensions



Ⓟ = Compressed air connection M5 needles extended Ⓠ = Compressed air connection M5 needles retracted * = Stroke