



ID grippers for diameters 8 - 81 mm



Product notes

- > Single-acting grippers with high holding force
- > Gripper bellow expanded by pneumatically driven piston, clamps workpiece at its inner surface
- > Ventilation of gripper resets piston and bellow and releases workpiece
- > Piston movement adjustable to position of gripped object
- > Holding force controlled by feed pressure
- > Robust body, made of anodized, high-strength aluminum alloy
- > Elastomer bellows available in EPDM or silicone
- > Easy and non-destructive exchange of bellows
- > Piston movement adjustable to position of gripped object, bellow is not inflated, no risk of bursting

Downward piston movement (workpiece pushed):

- > Clamp the black part of gripper body or using optional extension tubes or threaded mounting brackets

Upward piston movement (workpiece drawn):

- > Clamp the red part of gripper body

NOTES: Not for sale for Italy, San Marino and America

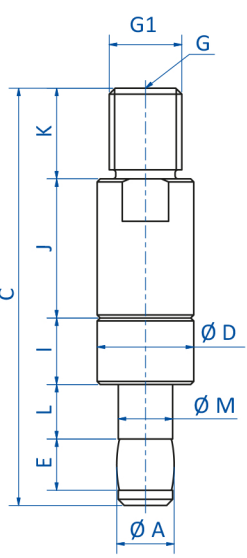
Technical data

Item no.	Elastomer	For parts having an inner $\phi$ from/to [mm]	Optimal operating pressure [bar (psi)]	Weight [g]	Accessories
GR04.F208	EPDM	8 - 10	8 (116)	25	Extension tube: GR06.034, EPDM elastomer: GR04.208-1, Mounting bracket: GR02.280, Mounting bracket: GR02.227
GR04.F208-SI	Silicone	8 - 10	8 (116)	25	Extension tube: GR06.034, Silicone elastomer: GR04.208-2, Mounting bracket: GR02.280, Mounting bracket: GR02.227
GR04.F210	EPDM	10.5 - 13	8 (116)	26	Extension tube: GR06.034, EPDM elastomer: GR04.210-1, Mounting bracket: GR02.280, Mounting bracket: GR02.227
GR04.F210-SI	Silicone	10.5 - 13	8 (116)	26	Extension tube: GR06.034, Silicone elastomer: GR04.210-2, Mounting bracket: GR02.280, Mounting bracket: GR02.227
GR04.F212	EPDM	13 - 17	8 (116)	28	Extension tube: GR06.034, EPDM elastomer: GR04.212-1, Mounting bracket: GR02.280, Mounting bracket: GR02.227
GR04.F212-SI	Silicone	13 - 17	8 (116)	28	Extension tube: GR06.034, Silicone elastomer: GR04.212-2, Mounting bracket: GR02.280, Mounting bracket: GR02.227
GR04.F214	EPDM	15 - 19	8 (116)	31	Extension tube: GR06.034, EPDM elastomer: GR04.214-1, Mounting bracket: GR02.280, Mounting bracket: GR02.227
GR04.F214-SI	Silicone	15 - 19	8 (116)	31	Extension tube: GR06.034, Silicone elastomer: GR04.214-2, Mounting bracket: GR02.280, Mounting bracket: GR02.227
GR04.F218	EPDM	19 - 23.5	8 (116)	53	Extension tube: GR06.034, EPDM elastomer: GR04.218-1, Mounting bracket: GR02.281, Mounting bracket: GR02.227
GR04.F218-SI	Silicone	19 - 23.5	8 (116)	53	Extension tube: GR06.034, Silicone elastomer: GR04.218-2, Mounting bracket: GR02.281, Mounting bracket: GR02.227
GR04.F222	EPDM	23.5 - 31	8 (116)	83	Extension tube: GR06.035, EPDM elastomer: GR04.222-1, Mounting bracket: GR02.282, Mounting bracket: GR02.228
GR04.F222-SI	Silicone	23.5 - 31	8 (116)	83	Extension tube: GR06.035, Silicone elastomer: GR04.222-2, Mounting bracket: GR02.282, Mounting bracket: GR02.228
GR04.F227	EPDM	29 - 36.5	8 (116)	117	Extension tube: GR06.035, EPDM elastomer: GR04.227-1, Mounting bracket: GR02.283, Mounting bracket: GR02.228
GR04.F227-SI	Silicone	29 - 36.5	8 (116)	117	Extension tube: GR06.035, Silicone elastomer: GR04.227-2, Mounting bracket: GR02.283, Mounting bracket: GR02.228
GR04.F233	EPDM	34 - 44	8 (116)	182	Extension tube: GR06.036, EPDM elastomer: GR04.233-1, Mounting bracket: GR02.284, Mounting bracket: GR02.229
GR04.F233-SI	Silicone	34 - 44	8 (116)	182	Extension tube: GR06.036, Silicone elastomer: GR04.233-2, Mounting bracket: GR02.284, Mounting bracket: GR02.229
GR04.F241	EPDM	41 - 58	8 (116)	364	Extension tube: GR06.036, EPDM elastomer: GR04.241-1, Mounting bracket: GR02.285, Mounting bracket: GR02.229
GR04.F241-SI	Silicone	41 - 58	8 (116)	364	Extension tube: GR06.036, Silicone elastomer: GR04.241-2, Mounting bracket: GR02.285, Mounting bracket: GR02.229
GR04.F251	EPDM	52 - 64	8 (116)	611	Extension tube: GR06.037, EPDM elastomer: GR04.251-1, Mounting bracket: GR02.286, Mounting bracket: GR02.232
GR04.F251-SI	Silicone	52 - 64	8 (116)	611	Extension tube: GR06.037, Silicone elastomer: GR04.251-2, Mounting bracket: GR02.286, Mounting bracket: GR02.232
GR04.F263	EPDM	63 - 81	8 (116)	1,051	EPDM elastomer: GR04.263-1, Mounting bracket: GR02.287, Mounting bracket: GR02.233
GR04.F263-SI	Silicone	63 - 81	8 (116)	1,051	Silicone elastomer: GR04.263-2, Mounting bracket: GR02.287, Mounting bracket: GR02.233

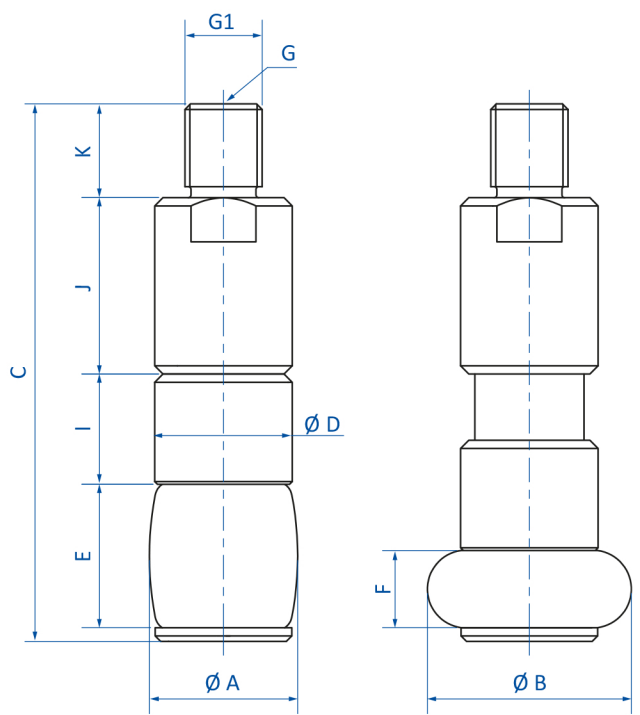
Elastomer replacement

EPDM [included in delivery] Color black	Silicone Color red
<ul style="list-style-type: none"> <li>&gt; Non-marking</li> <li>&gt; Heat-resistant to 130 °C (266 °F)</li> </ul>	<ul style="list-style-type: none"> <li>&gt; Very long service life</li> <li>&gt; Heat-resistant to 200 °C (392 °F)</li> </ul>

Dimensions



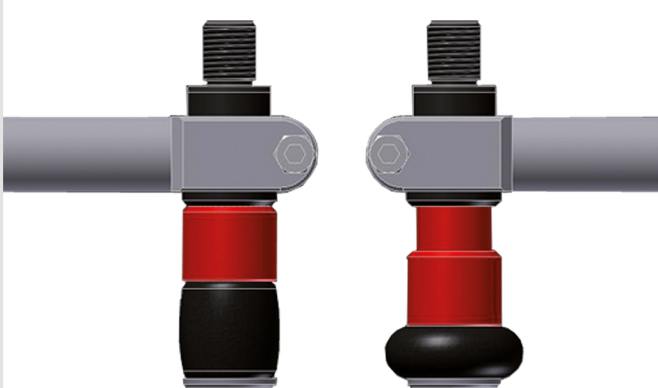
GR04.F208 | GR04.F208-SI | GR04.F210 | GR04.F210-SI | GR04.F212 | GR04.F212-SI | GR04.F214 | GR04.F214-SI



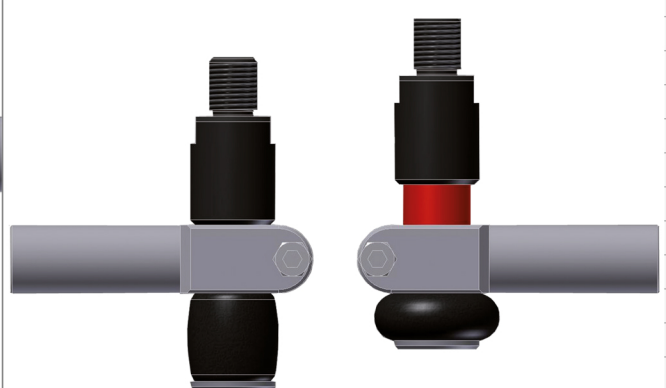
GR04.F218 | GR04.F218-SI | GR04.F222 | GR04.F222-SI | GR04.F227 | GR04.F227-SI | GR04.F233 | GR04.F233-SI | GR04.F241 | GR04.F241-SI | GR04.F251 | GR04.F251-SI | GR04.F263 | GR04.F263-SI

Installation examples

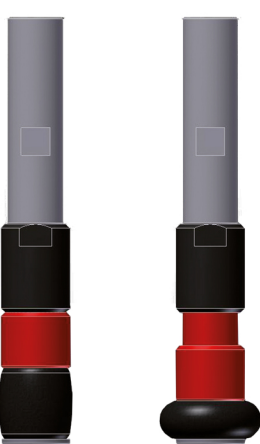
- > Clamping the upper part of gripper body enables downward piston movement (workpiece pushed) GR02.280 - GR02.287



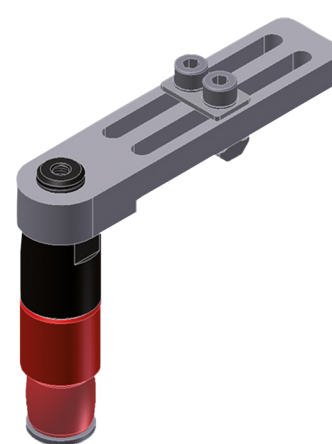
- > Clamping the lower gripper body enables upward piston movement (workpiece drawn) GR02.280 - GR02.287



- > Clamping to extension tubes enables downward piston movement (workpiece pushed) GR06.034 - GR06.037



- > Fitting to threaded mounting brackets enables downward piston movement (workpiece pushed) GR02.227 - 229 and GR02.232 - GR02.233



- > Application example

