



Blades for metal wire, straight



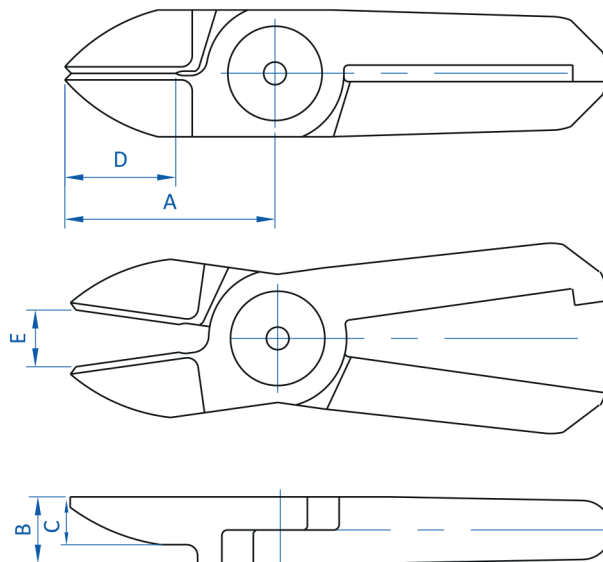
Product notes

- > Straight blades that can be applied at the right angle to the gate
- > Blades for cutting metal, unbeveled cutting edge using the anvil principle
- > BJ: standard blade
- > RBJ: reverse cutting edge, if cutting flush to workpiece with blade "BJ" is not possible

Technical data

Item no.	Material	Max. cutting thickness [mm]		Weight [g]	Air nippers
		Copper wire	Steel wire		
NY05BJ	Ferrous alloy	1.6	1	22	GT-NF05 GT-NY05-4 GT-NY05
NY05RBJ	Ferrous alloy	1.6	1	22	GT-NF05 GT-NY05R GT-NY05R-4

Dimensions



Item no.	A [mm]	B [mm]	C [mm]	D [mm]	E [mm]
NY05BJ	22	7	5	9	3.5
NY05RBJ	22	7	5	10.5	4