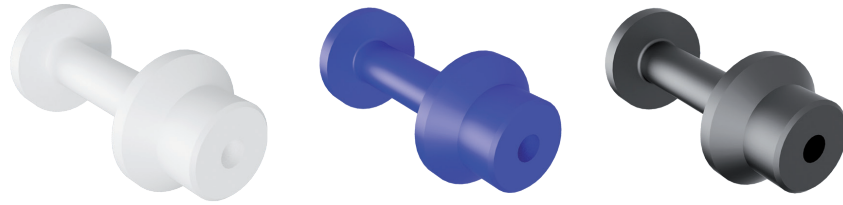




### Flow resistor for Plug-In vacuum cups SBP2



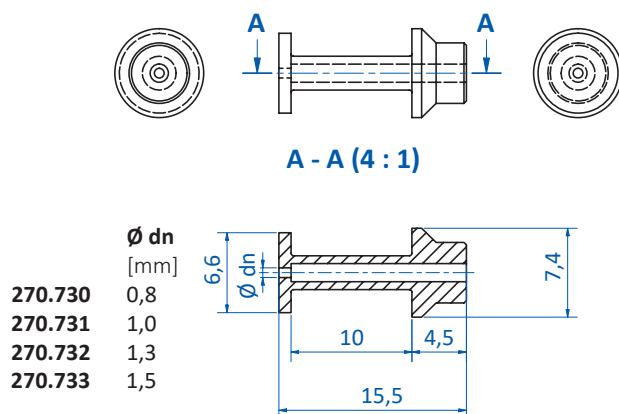
#### Product notes

- > Flow resistance for direct mounting in the vacuum cup
- > Four different inner diameters for individual application
- > Different colors for easy differentiation
- > Reduces the volume flow in the case of vacuum cups that are not or not fully loaded
- > Enables the energy-saving design of the system
- > Increase of process reliability

#### Technical data

Item no.	Free passage $\varnothing$ [mm]	Suction power to achieve 60 % vacuum [Nl/min]	Colour	Design	Material	Weight [g]	Suitable for
270.730	0.8	7	white	Plug-In	POM	0.2	SBP2-20 & SBP2-40
270.731	1	9	blue	Plug-In	POM	0.2	SBP2-20 & SBP2-40
270.732	1.3	14	black	Plug-In	POM	0.2	SBP2-20 & SBP2-40
270.733	1.5	17	white	Plug-In	POM	0.2	SBP2-20 & SBP2-40

#### Dimensions



#### Application example

