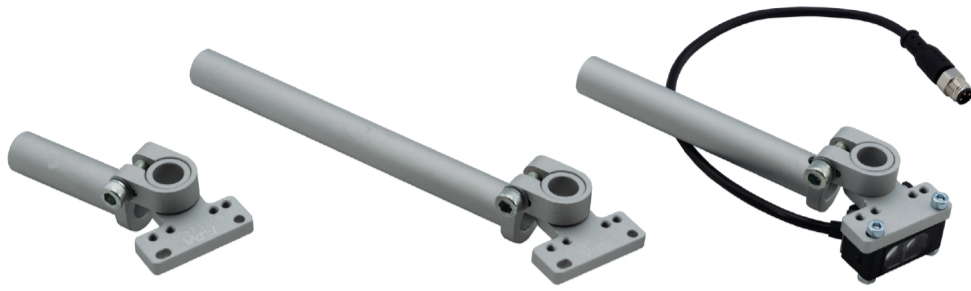




Elbow arm for sensors



Product notes

- > Securely mount sensors to any profile based gripper without special parts
- > Fits most compact sensors on the market, including our LT10 reflective photo sensor
- > Screws and washers for LT10 included

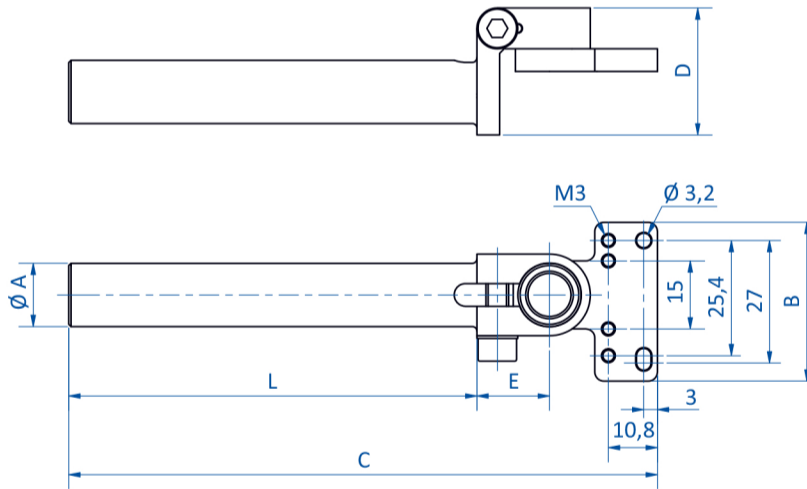
Technical data

Item no.	Length clamping shaft [mm]	Weight [g]	Accessories
GS03.14045	45	31	Cross clamp: GR02.023 Angle clamp: GR02.004
GS03.14090	90	40	Cross clamp: GR02.023 Angle clamp: GR02.004
GS03.14130	130	48	Cross clamp: GR02.023 Angle clamp: GR02.004

Dimensions

Ø A [mm]	B [mm]	C [mm]	D [mm]	E [mm]	L [mm]
14	35	85	28	16	45
14	35	130	28	16	90
14	35	170	28	16	130

Dimensions



Application example

