



95° Gripper fingers



GR04.042 with GR04.042-HNBR and GR04.042H

Product notes

- > Single-acting, spring return
- > Body and jaws made of anodized aluminum alloy
- > Optionally available sensors:
 - For GR04.034 with optional sensor holder GR04.038S: GR04.198 (1x PNP) and GR04.198/NPN (1x NPN), output M8 3-pole
 - Suitable connection cable (2 m): 20.503
 - Suitable connecting cable (0.3 m): 20.504
 - For GR04.044, GR04.042: GS04.005 (2x PNP) and GS04.006 (2x NPN) can be taught with two switching points, output M8 4-pole
 - Suitable connection cable (5 m): 20.501

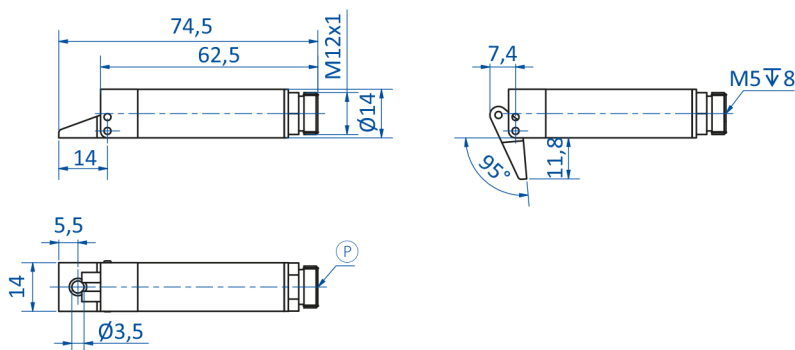
Technical data

Item no.	Operating pressure [bar (psi)]	Clamping Ø [mm]	Stroke [°]	Sensor nut	Closing force at 6 bar (87 psi) [N]	Weight [g]	Accessories
GR04.034	2 - 8 (29 - 116)	14	95	using GR04.038S	24	25	HNBR pad: GR04.034-HNBR Sensor mounting bracket: GR04.038S Stop element: GR04.034-H Stop element: GR04.036
GR04.044	2 - 8 (29 - 116)	20	95	Yes	70	58	HNBR pad: GR04.044-HNBR Sensor: GS04.005 Sensor: GS04.006 Stop element: GR04.044-H Stop element: GR04.046
GR04.042	2 - 8 (29 - 116)	30	95	Yes	135	205	HNBR pad: GR04.042-HNBR Sensor: GS04.005 Sensor: GS04.006 Stop element: GR04.042-H

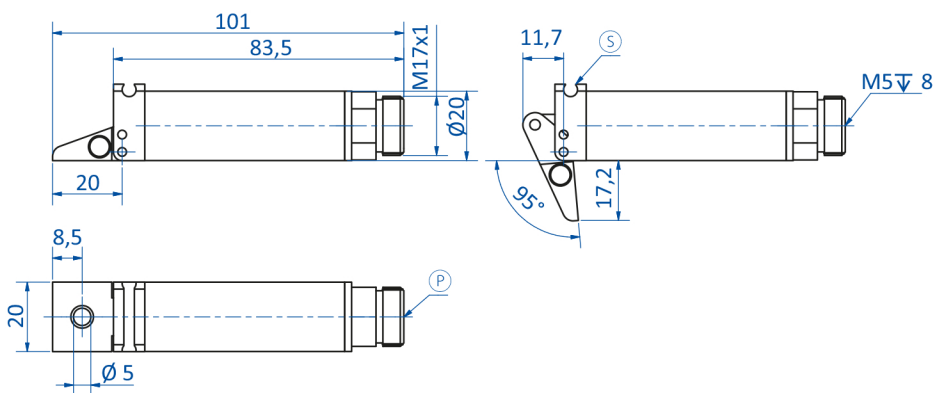
Complete set consists of

Item no.	Gripper fingers	HNBR pad	Stop element incl. HNBR pad
GR04.034-SE-HNBR	 GR04.034	GR04.034-HNBR	GR04.034-H
GR04.044-SE-HNBR	 GR04.044	GR04.044-HNBR	GR04.044-H
GR04.042-SE-HNBR	 GR04.042	GR04.042-HNBR	GR04.042-H

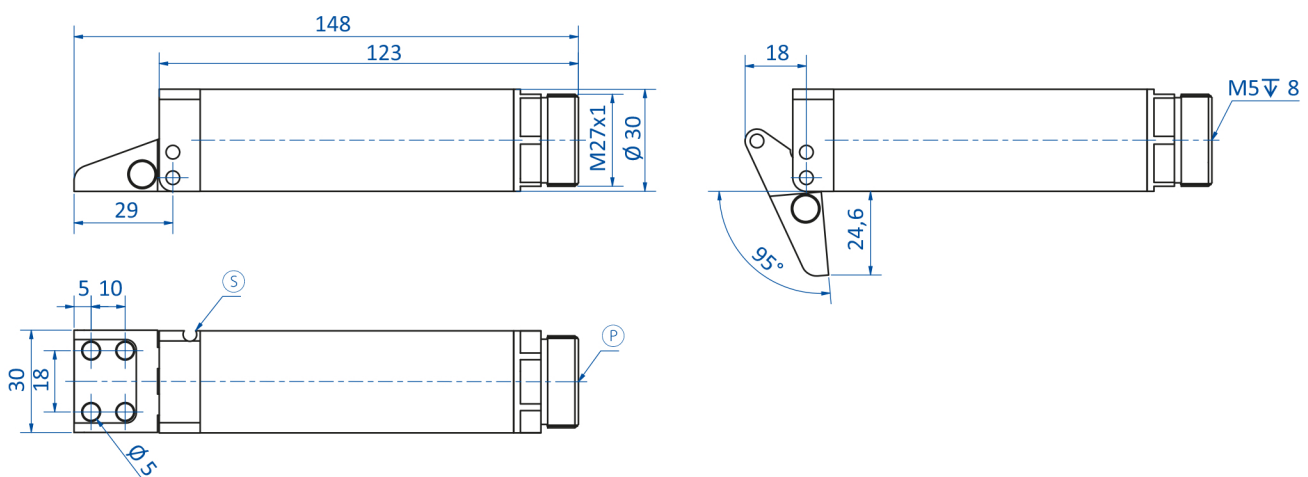
Dimensions



GR04.034



GR04.044



GR04.042

Ⓟ = Compressed air connection Ⓢ = Sensor slot