



Grippers | Gripper fingers

90° Gripper fingers

90° Gripper fingers



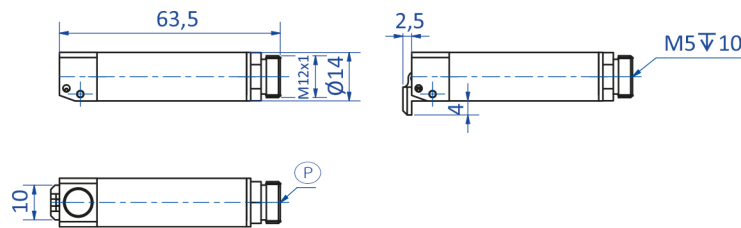
Product notes

- > Single-acting, spring return
- > Body and jaws made of anodized aluminum alloy
- > GR04.039 & GR04.049: optional sensors for monitoring gripper finger
- > Optional Sensors GS04.005 (2x PNP) and GS04.006 (2x NPN) with teach-in of two switching points, plug M8 4-pin
- > Optional connecting cable 20.501

Technical data

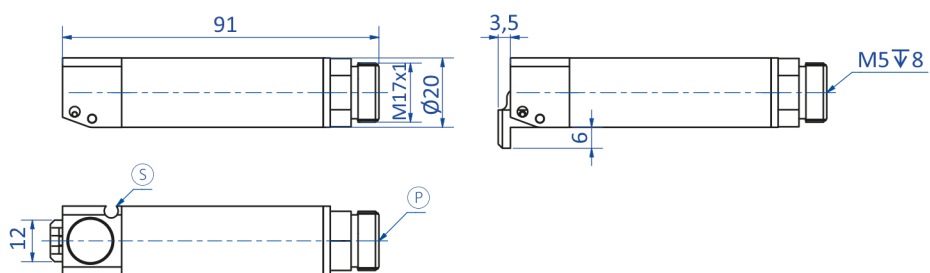
Item no.	Operating pressure [bar (psi)]	Clamping ϕ [mm]	Stroke [°]	Sensor nut	Closing force at 6 bar (87 psi) [N]	Weight [g]	Suitable sensors
GR04.038	2 - 8 (29 - 116)	14	90	Without	44	22	--
GR04.039	2 - 8 (29 - 116)	20	90	Yes	110	62	GS04.005 GS04.006
GR04.049	2 - 8 (29 - 116)	30	90	Yes	240	212	GS04.005 GS04.006

Dimensions

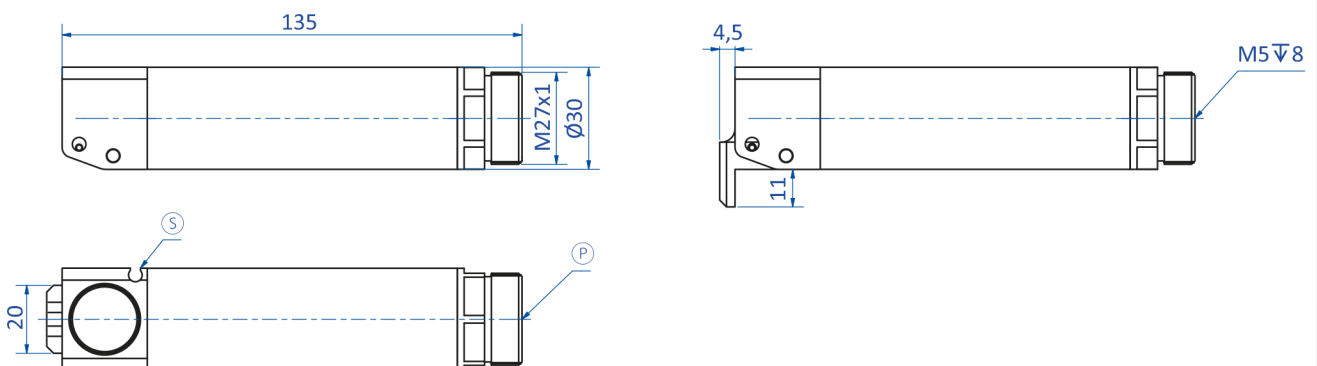


GR04.038

Ⓟ = Compressed air connection Ⓢ = Sensor slot



GR04.039



GR04.049

Ⓟ = Compressed air connection Ⓢ = Sensor slot