



Series 130 – sprue grippers, clamping diameter 20 mm – single-acting



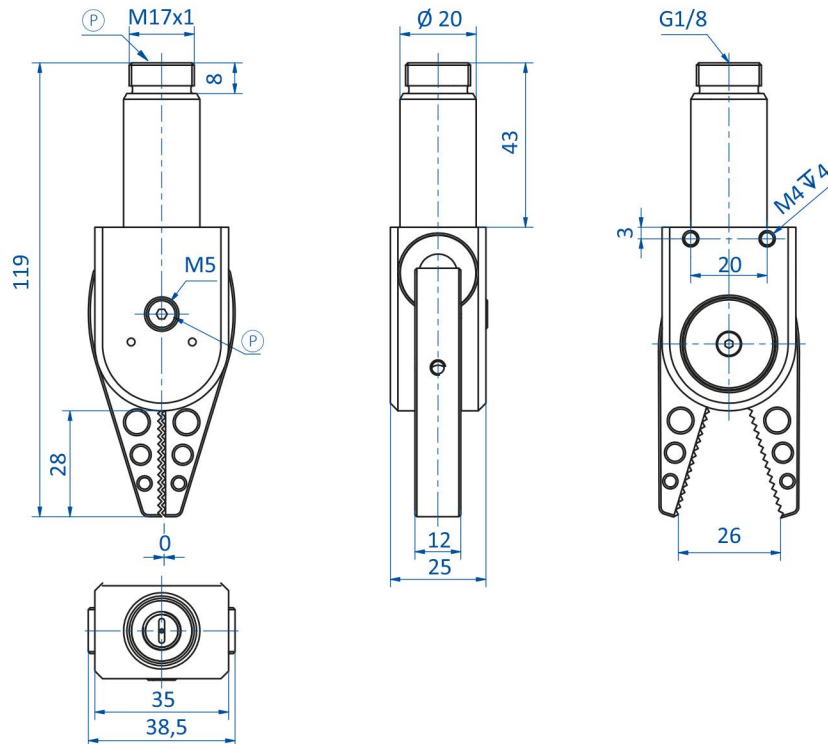
Product notes

- > Grippers with strong gripping force and wide jaw opening for large gates
- > Tight closing for flat gates
- > Housings and gripper jaws consist of an anodized, high-strength aluminum alloy
- > Model 130 with straight gripper jaws
- > Single-acting
- > Medium: filtered and oiled/non-oiled air
- > Ambient air temperature: -20°C to +80°C (-4 °F to 176 °F)
- > Ambient air temperature for sprue grippers with sensor: -20°C to +75°C (-4 °F to 167 °F)

Technical data

Item no.	Jaw	Operating pressure [bar (psi)]	Sensor	Electric connection	Closing force at 6 bar (87 psi) [N]	Weight [g]	Accessories
GR04.130	Standard	2.5 - 8 (36.3 - 116)	without	--	95	133	Extension tube: GR06.024

Dimensions



GR04.130