



Series 130 – sprue grippers, clamping diameter 20 mm – single-acting



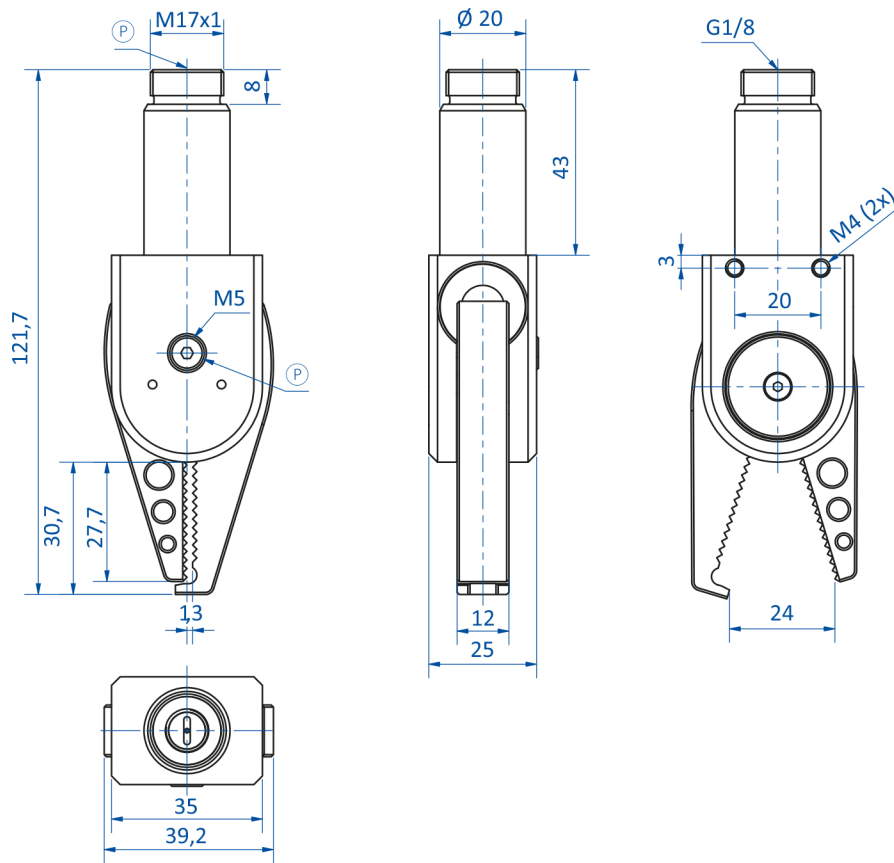
Product notes

- > Grippers with strong gripping force and wide jaw opening for large gates
- > Tight closing for flat gates
- > Housings and gripper jaws consist of an anodized, high-strength aluminum alloy
- > Model P with hook for hard to remove sprues
- > Index 1N and 1P for direct monitoring; large-area sensor operation, regardless of the position of the gate in the gripper
- > Single-acting
- > Medium: filtered and oiled/non-oiled air
- > Ambient air temperature: -20°C to +80°C (-4 °F to 176 °F)
- > Ambient air temperature for sprue grippers with sensor: -20°C to +75°C (-4 °F to 167 °F)

Technical data

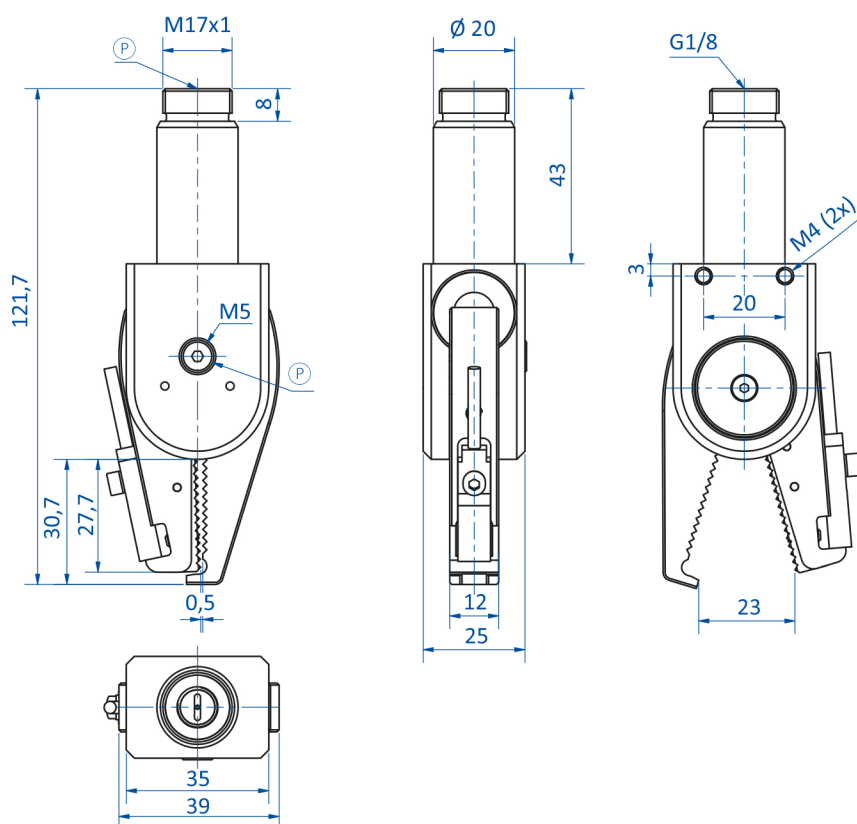
Item no.	Jaw	Operating pressure [bar (psi)]	Sensor	Electric connection	Closing force at 6 bar (87 psi) [N]	Weight [g]	Accessories
GR04.130P	Parrot	2.5 - 8 (36.3 - 116)	without	--	95	140	--
GR04.130P-1N	Parrot	2.5 - 8 (36.3 - 116)	NPN, direct monitoring, one freely adjustable switching point	3-pin male M8 connector	95	149	--
GR04.130P-1P	Parrot	2.5 - 8 (36.3 - 116)	PNP, direct monitoring, one freely adjustable switching point	3-pin male M8 connector	95	149	--

Dimensions



GR04.130P

Ⓟ = Compressed air connection



GR04.130P-1N | GR04.130P-1P