



Series 2016 – sprue grippers, clamping diameter 20 mm – single-acting

SELF-CENTERING



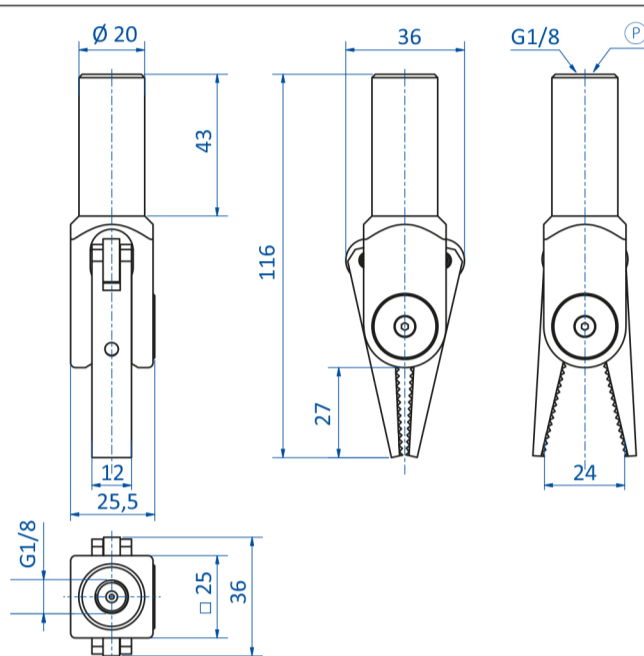
Product notes

- > Grippers with wide opening jaws and high gripping force
- > Self-centering
- > Large area sensor activation, regardless of sprue position
- > Easy assembly/disassembly of the gripper jaws
- > Jaws made of zinc-plated steel
- > Body and jaws made of anodized aluminum
- > GR04.2016S with sawtooth jaws for a higher gripping force
- > GR04.2016H with interchangeable HNBR pads for gentle gripping
- > GR04.2016HC and GR04.2016HC/NPN with replaceable HNBR pads for gentle handling
- > If a sprue detection is needed please use the grippers GR04.2016RC or GR04.2016SC with direct part detection
- > Principle of operation: single-acting
- > Medium: filtered and oiled/unoled air
- > Ambient air temperature: -20°C to +80°C (-4 °F to 176 °F)

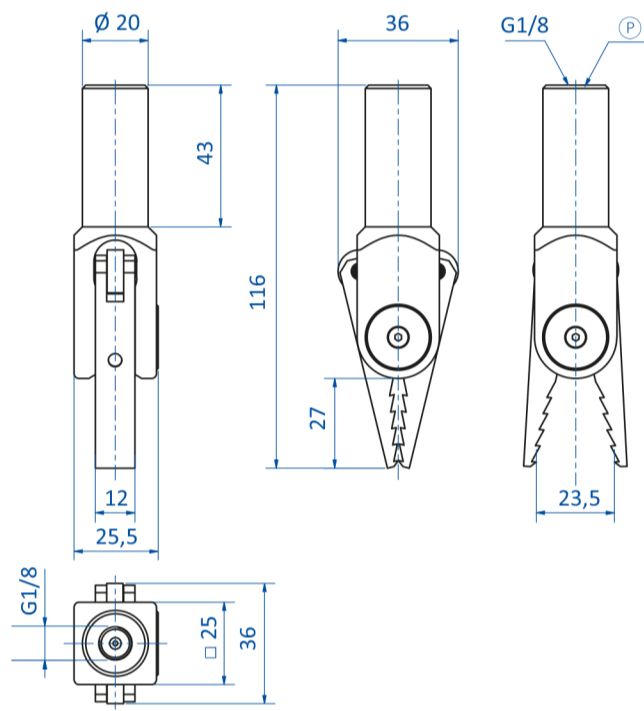
Technical data

Item no.	Jaw	Max. operating pressure [bar (psi)]	Sensor	Electric connection	Closing force at 6 bar (87 psi) [N]	Weight [g]	Accessories
GR04.2016R	Standard	6 (87)	without	--	52	148	--
GR04.2016S	Sawtooth jaws straight	6 (87)	without	--	52	148	--
GR04.2016H	HNBR Pad	6 (87)	without	--	52	148	HNBR pad: GR04.130C-4 HNBR
GR04.2016RC	Standard	6 (87)	PNP, direct monitoring	3-pin male M8 connector	52	165	Connecting cable: 20.503
GR04.2016RC/NPN	Standard	6 (87)	NPN, direct monitoring	3-pin male M8 connector	52	165	Connecting cable: 20.503
GR04.2016SC	Sawtooth jaws straight	6 (87)	PNP, direct monitoring	3-pin male M8 connector	52	168	Connecting cable: 20.503
GR04.2016SC/NPN	Sawtooth jaws straight	6 (87)	NPN, direct monitoring	3-pin male M8 connector	52	168	Connecting cable: 20.503
GR04.2016HC	HNBR Pad	6 (87)	PNP, direct monitoring	3-pin male M8 connector	52	156	Connecting cable: 20.503 Set of HNBR pads: KIT-GR04.2016HNBR
GR04.2016HC/NPN	HNBR Pad	6 (87)	NPN, direct monitoring	3-pin male M8 connector	52	156	Connecting cable: 20.503 Set of HNBR pads: KIT-GR04.2016HNBR

Dimensions

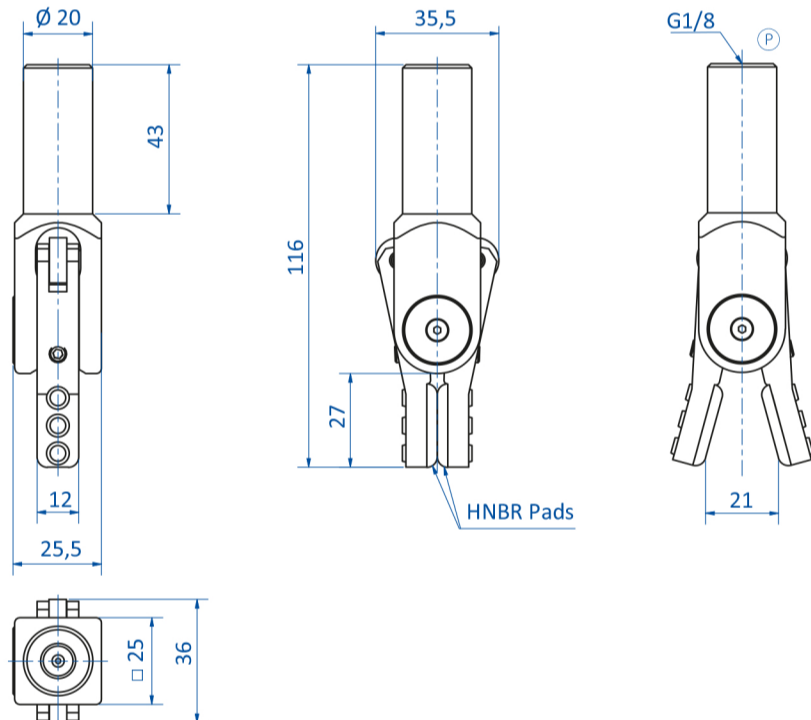


GR04.2016R

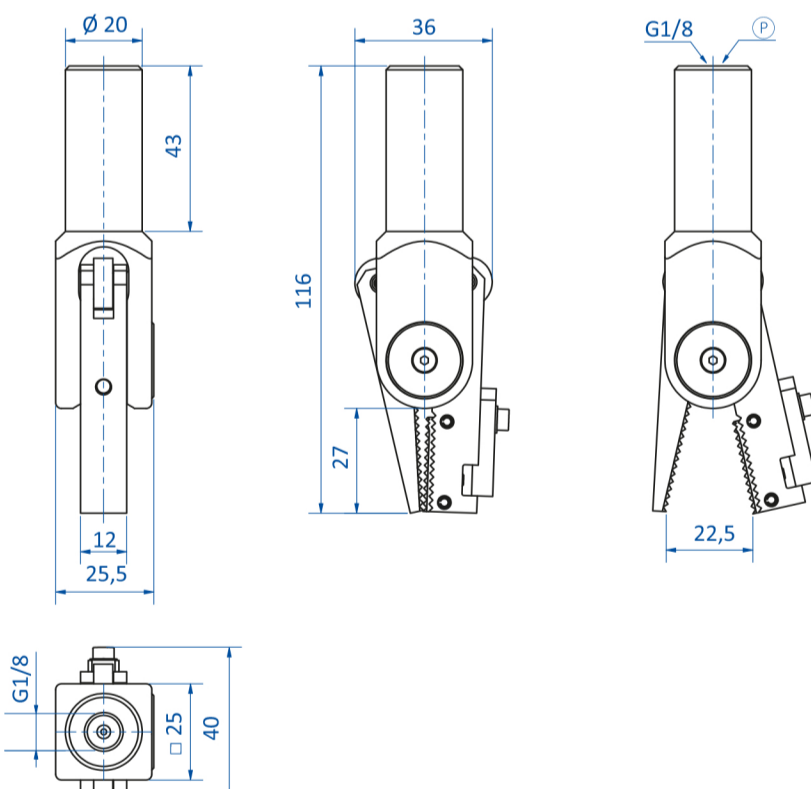


GR04.2016S

Ⓟ = Compressed air connection

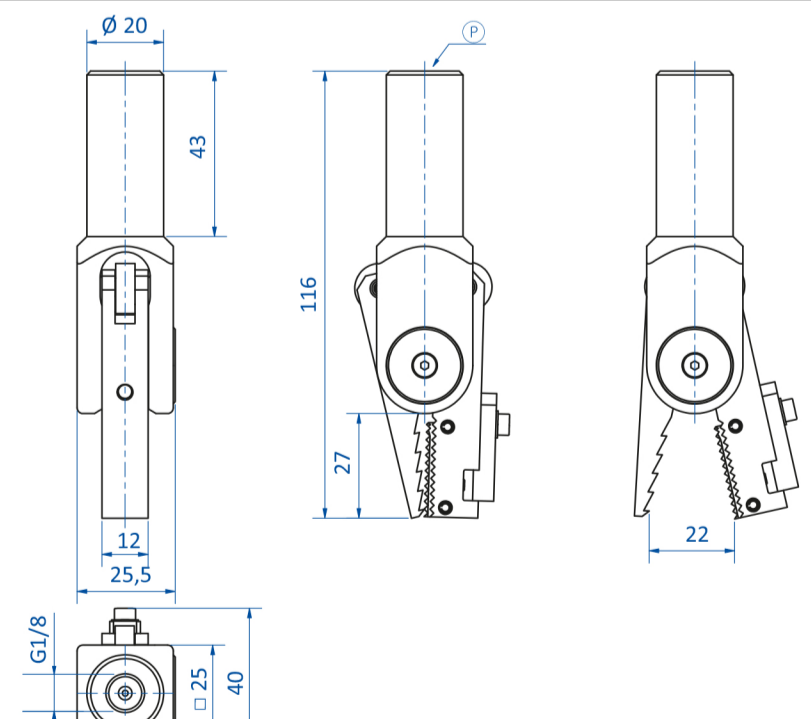


GR04.2016H

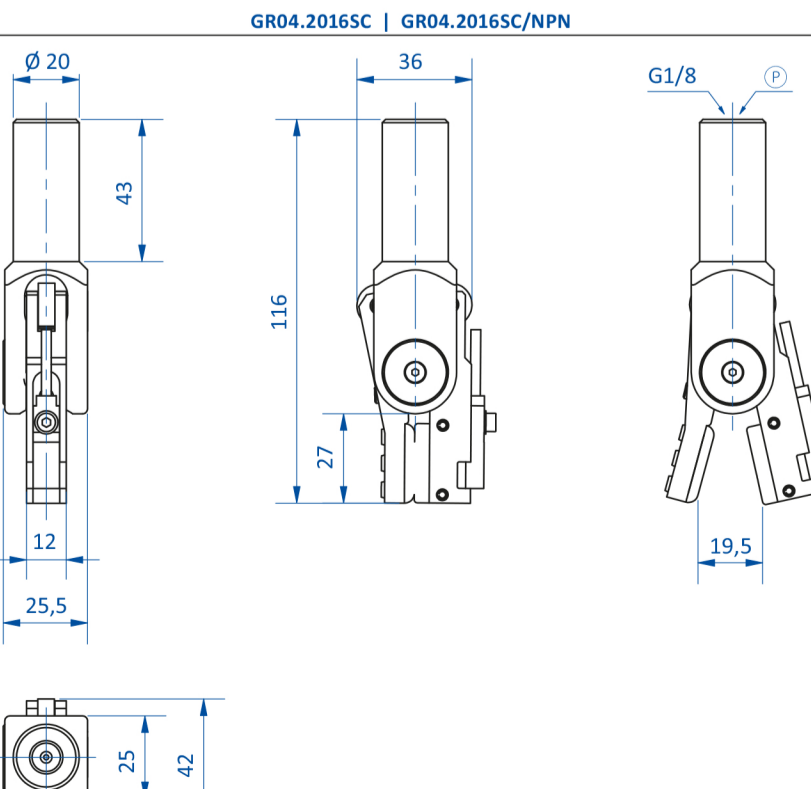


GR04.2016RC | GR04.2016RC/NPN

Ⓟ = Compressed air connection



GR04.2016SC | GR04.2016SC/NPN



GR04.2016HC | GR04.2016HC/NPN

Ⓟ = Compressed air connection