



Metric threaded ball joints – SZ-GKM



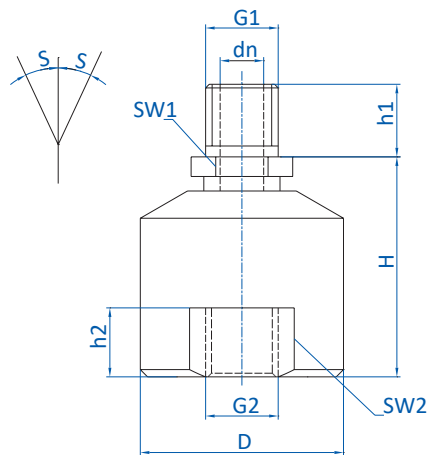
Product notes

- > Universal articulating mount for vacuum cups allows compensation for sloping product surfaces
- > Angle compensation for sagging products, such as sheet goods
- > Version: Ball and socket with O-ring seal

Technical data

Item no.	Thread	Pivoting range S [°]	Weight [g]
270.185	M4	2x15	9
270.186	M6	2x15	20
270.187	M10	2x15	58

Dimensions



Item no.	G1	G2	H [mm]	h1 [mm]	h2 [mm]	Ø D [mm]	Ø dn [mm]	SW1	SW2	S [°]
270.185	M4	M4	19	4	7	15	2	4	--	2x15
270.186	M6	M6	23	6	6.5	20	3	7	--	2x15
270.187	M10	M10	30	10	9.5	28	6	12	24	2x15