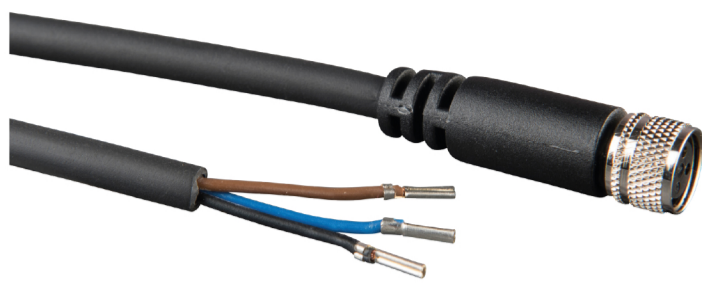




Connecting cable



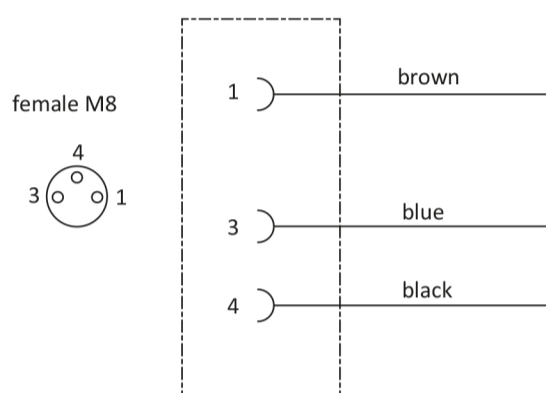
Product notes

- > Open wire for manual wiring to sensor relay boxes and terminals
- > Automation-grade PUR cables

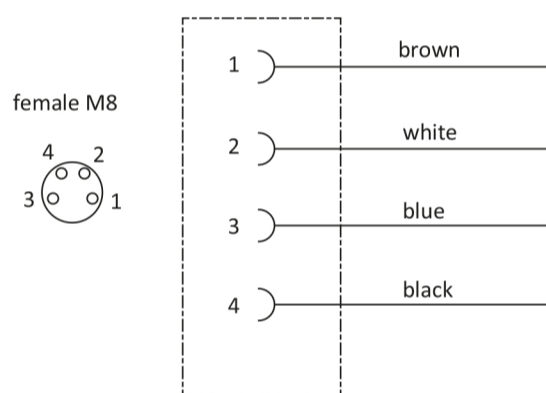
Technical data

Item no.	Electric connection	Type	Cable length [mm]
20.503	M8, 3-pin, female / open cable	straight	2,000
20.507	M8, 3-pin, female / open cable	90° elbow	2,000
20.501	M8, 4-pin, female / open cable	straight	5,000
20.502	M8, 4-pin, female / open cable	90° elbow	5,000
20.518	M12, 4-pin, female / open cable	straight	2,000
20.519	M12, 4-pin, female / open cable	90° elbow	2,000
20.508	M12, 5-pin, female / open cable	straight	2,000
20.509	M12, 5-pin, female / open cable	90° elbow	2,000
20.558	M12, 8-pin, female / open cable	90° elbow	2,000

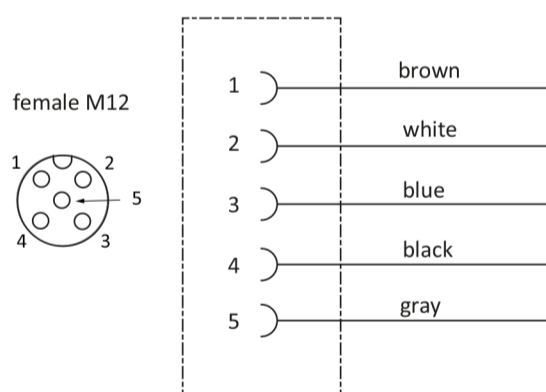
Wiring diagram and Pin assignment for 20.503 and 20.507



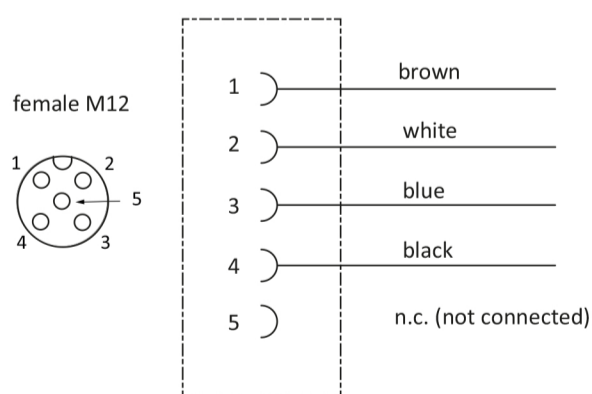
Wiring diagram and Pin assignment for 20.501 and 20.502



Wiring diagram and Pin assignment for 20.508 and 20.509



Wiring diagram and Pin assignment for 20.518 and 20.519



Wiring diagram and Pin assignment for 20.558

