



Blades for plastic, L-shape



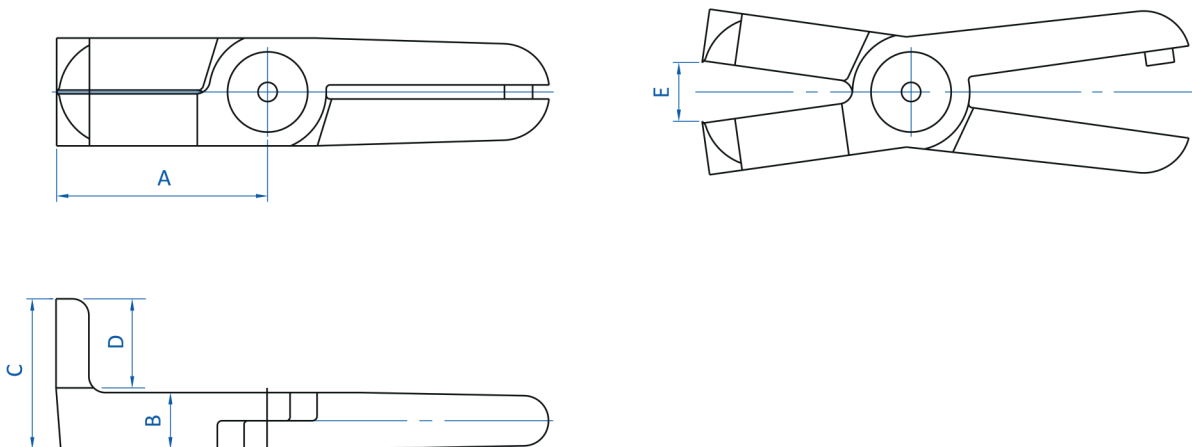
Product notes

> Long blades with 90° angle for clean cuts

Technical data

Item no.	Material	Max. cutting thickness [mm]		Weight [g]	Air nippers
		PP/PE	ABS		
N20AL	Ferrous alloy	7	5	135	GT-N20 GT-NR20 GT-NS20
N30AL525	Ferrous alloy	10	6.5	395	GT-N30 GT-NR30 GT-NS30

Dimensions



Item no.	A [mm]	B [mm]	C [mm]	D [mm]	E [mm]
N20AL	45	12	32	18	12
N30AL525	60	17	62	36	16