



Magnetic sensors



Product notes

- > C- and T-slot sensors for active gripping elements, linear units, compact cylinders
- > PNP or NPN switching functions
- > GS04.005 and GS04.006 with two teachable switching points
- > Integrated control LED

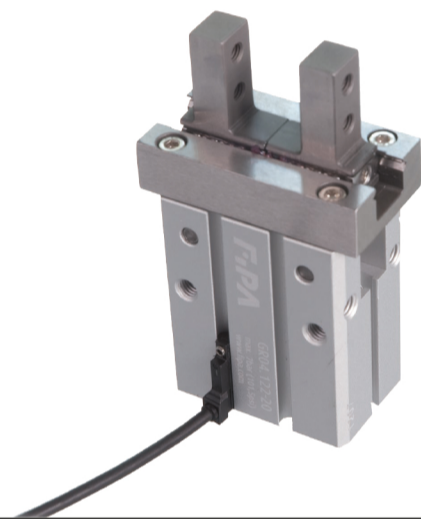
Technical data

Item no.	Switching output	Type	Nut-Model	Operating voltage [VDC]	Max. switching current [mA]	Max. power consumption [W]	Protection class	Cable length [mm]	Electric connection	Operating temperature [°C (°F)]	Weight [g]	Accessories
GS04.005	PNP	straight	C	12 - 30	100	3.45	IP67	500	4-pin male M8 connector	-20 - 75 (-4 - 167)	11	Connecting cable: 20.501 Connecting cable: 20.502
GS04.006	NPN	straight	C	12 - 30	100	3.45	IP67	500	4-pin male M8 connector	-20 - 75 (-4 - 167)	11	Connecting cable: 20.501 Connecting cable: 20.502
GR04.198	PNP	straight	C	6 - 30	200	6	IP67	300	3-pin male M8 connector	-10 - 70 (14 - 158)	18	Connecting cable: 20.503 Connecting cable: 20.507 Extension cable: 20.570 Extension cable: 20.504
GR04.198/NPN	NPN	straight	C	6 - 30	200	6	IP67	300	3-pin male M8 connector	-10 - 70 (14 - 158)	18	Connecting cable: 20.503 Connecting cable: 20.507 Extension cable: 20.570 Extension cable: 20.504
GR04.202P	PNP	90° elbow	C	5 - 30	50	1.5	IP67	150	3-pin male M8 connector	-10 - 70 (14 - 158)	25	Connecting cable: 20.503 Connecting cable: 20.507 Extension cable: 20.570 Extension cable: 20.504
GR04.202N	NPN	90° elbow	C	5 - 30	50	1.5	IP67	150	3-pin male M8 connector	-10 - 70 (14 - 158)	25	Connecting cable: 20.503 Connecting cable: 20.507 Extension cable: 20.570 Extension cable: 20.504
GR04.280P	PNP	straight, short	C	4.5 - 28	50	1.5	IP67	150	3-pin male M8 connector	-10 - 70 (14 - 158)	21	Connecting cable: 20.503 Connecting cable: 20.507 Extension cable: 20.570 Extension cable: 20.504
GR04.280N	NPN	straight, short	C	4.5 - 28	50	1.5	IP67	150	3-pin male M8 connector	-10 - 70 (14 - 158)	21	Connecting cable: 20.503 Connecting cable: 20.507 Extension cable: 20.570 Extension cable: 20.504
GR04.199	PNP	straight	T	10 - 30	100	3	IP67	150	3-pin male M8 connector	-10 - 70 (14 - 158)	25	Connecting cable: 20.503 Connecting cable: 20.507 Extension cable: 20.570 Extension cable: 20.504
GR04.199/NPN	NPN	straight	T	10 - 30	100	3	IP67	150	3-pin male M8 connector	-10 - 70 (14 - 158)	25	Connecting cable: 20.503 Connecting cable: 20.507 Extension cable: 20.570 Extension cable: 20.504
GR04.203P	PNP	straight, short	T	5 - 30	200	6	IP67	150	3-pin male M8 connector	-10 - 70 (14 - 158)	27	Connecting cable: 20.503 Connecting cable: 20.507 Extension cable: 20.570 Extension cable: 20.504
GR04.203N	NPN	straight, short	T	5 - 30	200	6	IP67	150	3-pin male M8 connector	-10 - 70 (14 - 158)	27	Connecting cable: 20.503 Connecting cable: 20.507 Extension cable: 20.570 Extension cable: 20.504

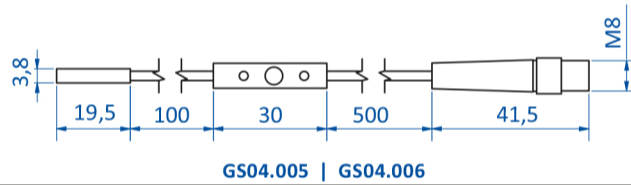
Connection and extension cables

- 20.503: M8, 3-pin, female straight, length 2,500 mm, open cable
- 20.507: M8, 3-pin, female 90° angled, length 2,000 mm, open cable
- 20.504: M8, 3-pin, female straight, length 300 mm, end with M8, 3-pin, male 90° angled
- 20.570: M8, 3-pin, female straight, length 1,500 mm, end with M8, 3-pin, male straight
- 20.501: M8, 4-pin, female straight, length 5,000 mm, open cable
- 20.502: M8, 4-pin, female 90° angled, length 5,000 mm, open cable

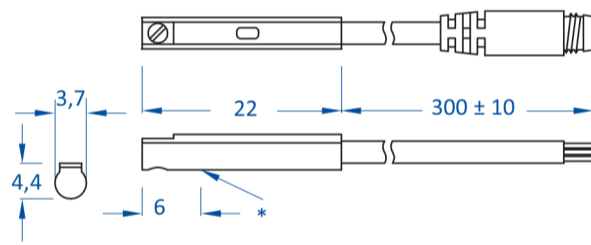
Application example



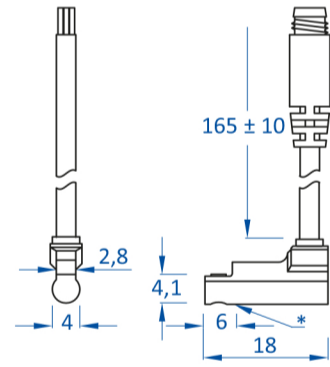
Dimensions



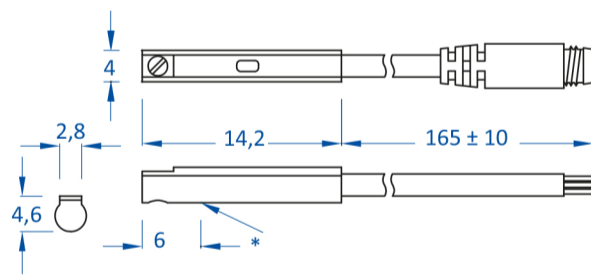
GS04.005 | GS04.006



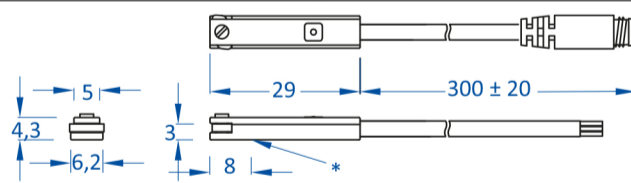
GR04.198 | GR04.198/NPN



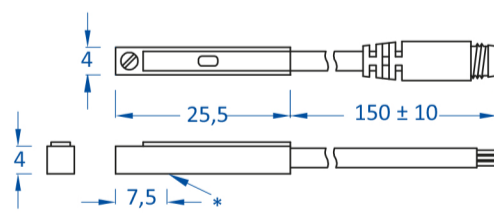
GR04.202P | GR04.202N



GR04.280P | GR04.280N



GR04.199 | GR04.199/NPN

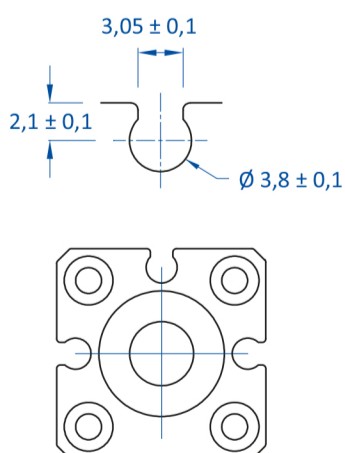


GR04.203P | GR04.203N

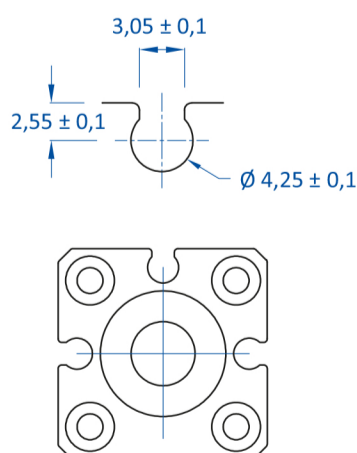
\* = Sensing point

Matching nut dimensions

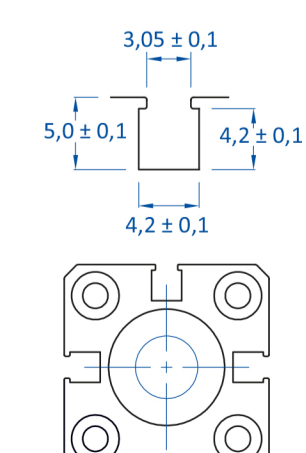
> GS04.005 | GS04.006 | GR04.198



> GR04.202 | GR04.280



> GR04.203



> GR04.199

