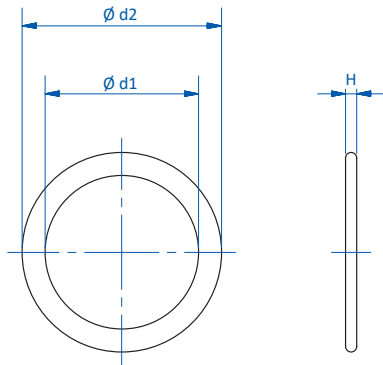




Reinforcement rings – SZ-STAB
For stabilizing bellows vacuum cups



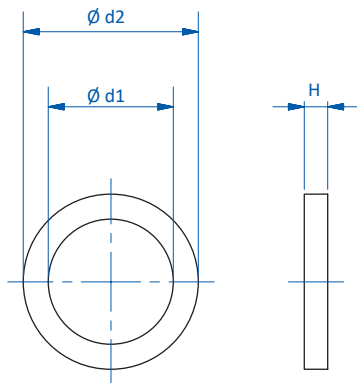
Technical data

Item no.	Material
78.000	PA6
78.001	PA6
78.002	PA6
78.003	PA6

Dimensions

H [mm]	$\varnothing d1$ [mm]	$\varnothing d2$ [mm]
1	13.5	17.5
1.1	22	26.5
1.2	30	35.5
1.5	36	45.5

Retaining rings – SZ-HR



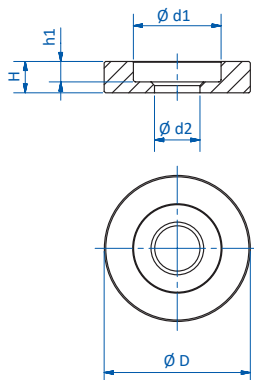
Technical data

Item no.	Material
78.011	TPU
78.012	TPU
78.013	TPU

Dimensions

H [mm]	$\varnothing d1$ [mm]	$\varnothing d2$ [mm]
1.9	9.7	14
2.5	13	20
3.2	19	26

Adapter plates – SZ-ASC



Technical data

Item no.	Material
78.080	Aluminum
78.081	Aluminum
78.082	Aluminum

Dimensions

H [mm]	$h1$ [mm]	$\varnothing D$ [mm]	$\varnothing d1$ [mm]	$\varnothing d2$ [mm]
5	3.5	15	11	6.2
4.3	2.8	20	12	6.2
7	4	28	23	10.2