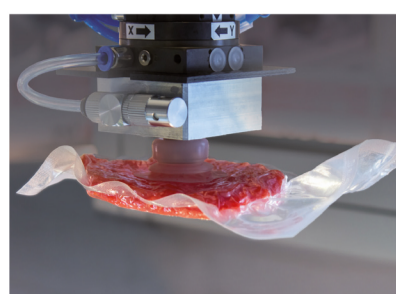




Bellows vacuum cups, 1.5 folds – SBF-A



Product notes

Bellows vacuum cup with soft, very flexible single sealing lip for handling highly sensitive products with high leveling adjustment. Connection with plugged, or fixed screwed nipple or attachment frame (Ø 80 mm). Compatible "snap-in" spring leveller available.

Advantage

- > Large holding force
- > Fine, flexible sealing lip fits in perfectly with irregularities of the product
- > Cleats for the sealing lip prevent retraction of flexible products (e.g. films)
- > Cost-effective replacement of worn seals
- > High process reliability due to fixed, non-rotating seat of the screw nipple

Technical data

Item no.	Model		Number of folds	Material / Color
Rubber sealing lip for attachment to fitting				
23.006.290.*	SBF-A -6	2.3	1.5	NBR (sw), SI (tr), SI-AS (sw)
23.008.291.*	SBF-A -8	3	1.5	NBR (sw), SI (tr), SI-AS (sw)
23.010.139.*	SBF-A -10	4	1.5	NBR (sw), SI (tr), SI-LE (tr), SI-AS (sw)
23.015.292.*	SBF-A -15	4	1.5	NBR (sw), SI (tr), SI-AS (sw)
23.020.140.*	SBF-A -20	6	1.5	NBR (sw), SI (tr), SI-LE (tr)
23.025.293.*	SBF-A -25	6	1.5	NBR (sw), SI (tr)
23.030.141.*	SBF-A -30	8	1.5	NBR (sw), SI (tr), SI-LE (tr)
23.040.142.*	SBF-A -40	9.5	1.5	NBR (sw), SI (tr)
23.050.143.*	SBF-A -50	11	1.5	NBR (sw), SI (tr)
23.080.144.*	SBF-A -80	10	1.5	NBR (sw), SI (tr)
Full vacuum cups with receptacle				
22.080.161.*	SBF-A -80	10	1.5	NBR (sw), SI (tr)

Accessories

Spare vacuum cup:

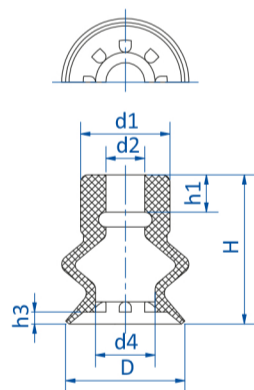
Accessories

Item no.	Suitable fittings							
	M4-male	M5-male	M6-male	M10-female	G1/8-male	G1/8-female	G1/4-male	G1/4-female
Rubber sealing lip for attachment to fitting								
23.006.290.*	--	270.791	--	--	--	--	--	--
23.008.291.*	--	270.791	--	--	--	--	--	--
23.010.139.*	270.458	270.134	270.104	--	--	--	--	--
23.015.292.*	270.458	270.134	270.104	--	--	--	--	--

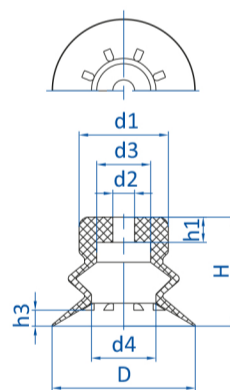
Accessories

Item no.	Suitable fittings							
	M4-male	M5-male	M6-male	M10-female	G1/8-male	G1/8-female	G1/4-male	G1/4-female
23.020.140.*	--	270.311	270.459	--	270.480	270.479	--	--
23.025.293.*	--	270.311	270.459	--	270.480	270.479	--	--
23.030.141.*	--	--	270.460	--	270.482	270.481	270.483	270.484
23.040.142.*	--	--	270.498	--	270.486	270.485	270.487	270.488
23.050.143.*	--	--	270.499	--	270.490	270.489	270.491	270.492
23.080.144.*	--	--	--	--	--	--	--	--
Full vacuum cups with receptacle								
22.080.161.*	--	--	--	270.088	--	--	--	270.089

Dimensions

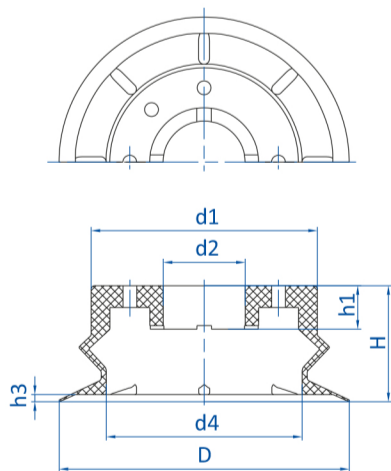


Drawing A

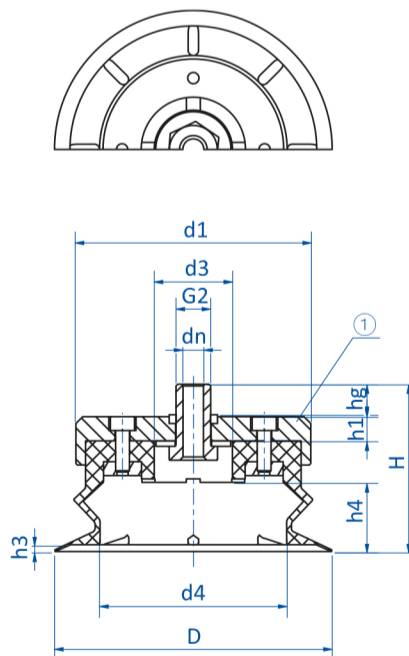


Drawing B

⊕ = Aluminum



Drawing C



Drawing D

⊕ = Aluminum

Item no.	Drawing	Ø D [mm]	Ø d1 [mm]	Ø d2 [mm]	Ø d3 [mm]	Ø d4 [mm]	Ø dn [mm]	G2 (male)	H [mm]	h1 [mm]	h3 [mm]	h4 [mm]	hg [mm]
Rubber sealing lip for attachment to fitting													
23.006.290.*	A	6	6	2.6	--	3	--	--	10	2.5	0.6	--	--
23.008.291.*	A	8	6	2.6	--	4	--	--	10	2.5	0.8	--	--
23.010.139.*	B	10	10	4	6	5	--	--	15.5	3	1	--	--
23.015.292.*	B	15	11	4	6	8	--	--	16	3	1.5	--	--
23.020.140.*	B	20	15	6	10	11	--	--	19	4	2	--	--
23.025.293.*	B	25	17	6	10	11.6	--	--	19	4	2	--	--
23.030.141.*	B	30	17	6	12	14	--	--	23	5	2.8	--	--
23.040.142.*	B	40	25	6	15	18	--	--	30	7	4.4	--	--
23.050.143.*	B	50	30	6	21	21	--	--	32	7	4	--	--
23.080.144.*	C	80	62	23	--	54	--	--	32	12	2	--	--
Full vacuum cups with receptacle													
22.080.161.*	D	80	68	--	23	54	6	M10	48	7	2	20	9

* When ordering please add the appropriate material code to item no.