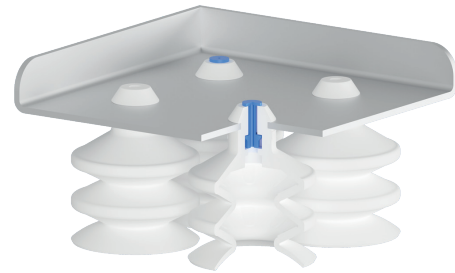




Series | Bellows vacuum cups SB

Plug-In vacuum cups 2.5 folds – SBP2

Plug-In vacuum cups 2.5 folds – SBP2



Product notes

- > Bellows vacuum cups for direct installation in bores and housings
- > Simple and tool-free exchange
- > Dynamic use on cardboard and packaging
- > Compatible with common vacuum gripping systems
- > Optionally with built-in flow resistance to reduce leakage

Flow resistors available separately

- > 270.730: SW08 = 0.8 mm; POM white
- > 270.731: SW10 = 1.0 mm; POM blue
- > 270.732: SW13 = 1.3 mm; POM black
- > 270.733: SW15 = 1.5 mm; POM white

Notes

Material code and Shore hardness:

- *.2 = SI (tr) Silicone transparent, Shore hardness 55°
- *.8 = SI (w) Silicone white, Shore hardness 35°

Order example:

- 21.020.185.2 = Plug-In vacuum cup single, Shore hardness 55°
- 21.020.185.8-SW08-LE = Plug-In vacuum cup, Shore hardness 35°, with mounted flow resistor 0.8 mm, suitable for food contact

Technical data

Item no.	Model		Free passage \varnothing [mm]	Suction power to achieve 60 % vacuum [Nl/min]	Flow resistor [mm]	Connection	Number of folds
Plug-In vacuum cups without flow resistor							
21.020.185._*	SBP2-20	9	4.3	29	without	Push-In	2.5
21.040.186._*	SBP2-40	20	4.3	29	without	Push-In	2.5
Plug-In vacuum cups with mounted flow resistor 0.8 mm							
21.020.185._*-SW08	SBP2-20	9	0.8	7	0.8	Push-In	2.5
21.040.186._*-SW08	SBP2-40	20	0.8	7	0.8	Push-In	2.5
Plug-In vacuum cups with mounted flow resistor 1 mm							
21.020.185._*-SW10	SBP2-20	9	1	9	1	Push-In	2.5
21.040.186._*-SW10	SBP2-40	20	1	9	1	Push-In	2.5
Plug-In vacuum cups with mounted flow resistor 1.3 mm							
21.020.185._*-SW13	SBP2-20	9	1.3	14	1.3	Push-In	2.5
21.040.186._*-SW13	SBP2-40	20	1.3	14	1.3	Push-In	2.5
Plug-In vacuum cups with mounted flow resistor 1.5 mm							
21.020.185._*-SW15	SBP2-20	9	1.5	17	1.5	Push-In	2.5
21.040.186._*-SW15	SBP2-40	20	1.5	17	1.5	Push-In	2.5



When ordering please note

Order example:

21.020.185.2 = Plug-In vacuum cup single

21.020.185.2-SW08-LE = Plug-In vacuum cup with mounted flow resistor 0.8 mm, suitable for food contact

21.020.185.2-SW08-LE

LE = Suitable for short-time contact with food

SW08 = 0.8 mm; POM white

SW10 = 1.0 mm; POM blue

SW13 = 1.3 mm; POM black

SW15 = 1.5 mm; POM white

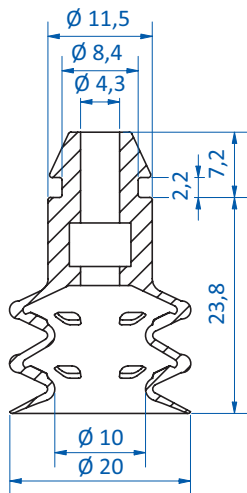


Material code:

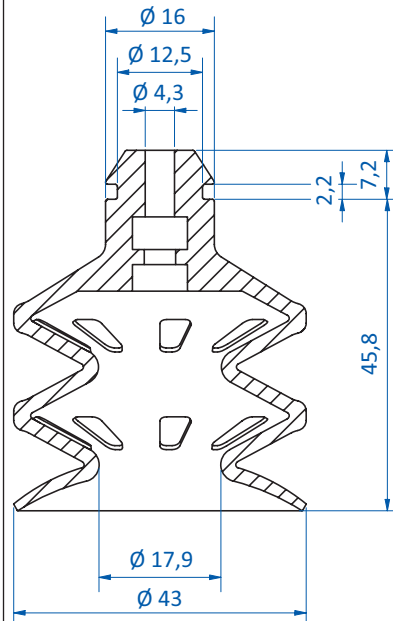
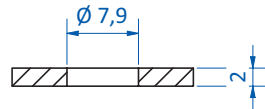
*.2 = SI (tr) Silicone transparent, Shore hardness 55°

*.8 = SI (w) Silicone white, shore hardness 35°

Dimensions



21.020.185_*



21.040.186_*

