



### Bellows vacuum suction plates – SBPL-E



#### Product description

Vacuum suction plate, 1.5 folds, vulcanized carrier plate made of steel. Soft sealing lip from a low-marking NBR blend and lightly compressing bellows for gentle handling of heavy but sensitive products (e.g. glass plates). Divided support surfaces provide a firm grip for all loads.


#### Advantage

- > Gentle handling of heavy, sensitive products
- > Good adaptation to both concave and convex surfaces
- > Rubberized support surfaces prevent deformation of workpieces
- > Low-marking

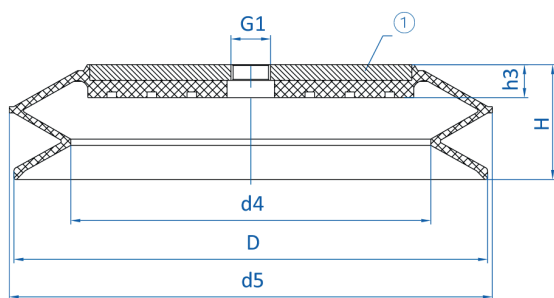
#### Ordering notes:

Customized drilling patterns on request

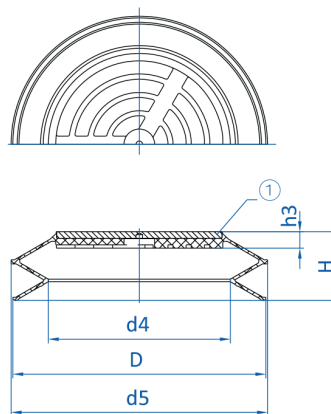
#### Technical data

Item no.	Model / Lip dimensions	Connection thread		Weight [g]	Number of folds	Material / Colour
22.150.084.*	SBPL-E-150	G1/2-female	32	460	1.5	NBR (gr)
22.200.087.*	SBPL-E-200	G1/2-female	30	860	1.5	NBR (gr)
22.250.088.*	SBPL-E-250	G1/2-female	38	1,900	1.5	NBR (gr)
22.300.091.*	SBPL-E-300	Without	60	4,200	1.5	NBR (gr)
22.350.102.*	SBPL-E-350	Without	55	4,200	1.5	NBR (gr)

#### Dimensions



Drawing A



Drawing B

① = Steel

Item no.	Drawing	Ø D [mm]	Ø d4 [mm]	Ø d5 [mm]	G1	H [mm]	h3 [mm]
22.150.084.*	A	150	94	157	G1/2	54	15.5
22.200.087.*	A	200	140	206	G1/2	57	17
22.250.088.*	A	250	190	255	G1/2	61	17.5
22.300.091.*	B	306	220	310	--	83	20
22.350.102.*	B	350	262	350	--	84	21