



Series | Flat vacuum cups SF

Flat XXL-suction rings – SFR

Flat XXL-suction rings – SFR



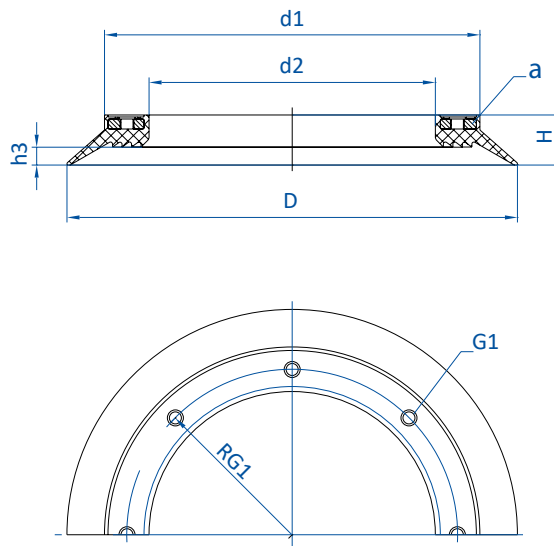
Product description

Large flat suction seals vulcanized on steel ring for handling very large loads. Mounting through circular, circumferentially placed thread holes.

Technical data

Item no.	Material / Colour	
152.285.099.1	NBR (sw)	11
152.450.105.1	NBR (sw)	18
152.540.106.1	NBR (sw)	18
152.630.107.1	NBR (sw)	18
152.720.108.1	NBR (sw)	18
152.920.109.1	NBR (sw)	18

Dimensions



a = Ring made of vulcanized steel

Item no.	Ø D [mm]	Ø d1 [mm]	Ø d2 [mm]	G1	R G1	H [mm]	h3 [mm]
152.285.099.1	285	250	160	4xM12	102.5	32	11
152.450.105.1	450	375	286	8xM12	165	50	18
152.540.106.1	540	465	375	8xM12	210	50	18
152.630.107.1	630	556	464	12xM12	255	50	18
152.720.108.1	720	646	554	12xM12	300	50	18
152.920.109.1	920	846	754	12xM12	400	50	18