



## Series | Flat vacuum cups SF

Flat vacuum cups universal – SFU-D

### Flat vacuum cups universal – SFU-D




#### Product notes

Universal flat vacuum cups with tapering curved sealing lip. Connection via plug-in nipple.

#### Advantage

- > Pre-tension of the sealing lip enables gripping of uneven and slightly curved products
- > Large stroke

#### Technical data

Item no.	Model		Material / Color
112.004.001.*	SFU-D-4	0.5	NBR (sw), SI (r)
112.005.002.*	SFU-D-5	0.7	NBR (sw), SI (r)
112.006.003.*	SFU-D-6	1	NBR (sw), SI (r)
112.008.007.*	SFU-D-8	1.5	NBR (sw), SI (w), SI-LE (w), NR (sw)
112.010.011.*	SFU-D-10	2	NBR (sw), SI (w), SI-LE (w)
112.012.015.*	SFU-D-12	2	NBR (sw), SI (w), NR (sw)
112.015.022.*	SFU-D-15	2	NBR (sw), SI (w), NR (sw)
112.018.024.*	SFU-D-18	2.3	NBR (sw), SI (w), NR (sw)
112.020.031.*	SFU-D-20	2.3	NBR (sw), SI (w), NR (sw)
112.022.037.*	SFU-D-22	2.5	NBR (sw), SI (w)
112.025.042.*	SFU-D-25	4.5	NBR (sw), SI (w), SI-LE (w), NR (sw)
112.030.052.*	SFU-D-30	4.5	NBR (sw), SI (w)
112.035.060.*	SFU-D-35	5	NBR (sw), SI (w), NR (sw)
112.040.071.*	SFU-D-40	4	NBR (sw), SI (tr)
112.045.077.*	SFU-D-45	7	NBR (sw), SI (w), NR (sw)
112.060.091.*	SFU-D-60	9	NBR (sw), SI (tr)
112.085.102.*	SFU-D-85	12	NBR (sw), SI (tr), NR (sw)



## Accessories

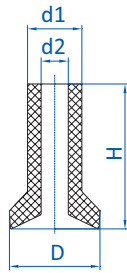
Item no.	 Suitable fittings							
	M3-male	M5-male	M5-female	M6-male	G1/8-male	G1/8-female	G1/4-male	G1/4-female
112.004.001.*	270.025	--	--	--	--	--	--	--
112.005.002.*	270.025	--	--	--	--	--	--	--
112.006.003.*	270.025	--	--	--	--	--	--	--
112.008.007.*	--	270.536	--	--	--	--	--	--
112.010.011.*	--	270.134	270.347	270.104	270.033	270.478	--	--
112.012.015.*	--	270.134	270.347	270.104	270.033	270.478	--	--
112.015.022.*	--	270.134	--	270.104	270.033	270.478	--	--
112.018.024.*	--	270.134	270.347	270.104	270.033	270.478	--	--
112.020.031.*	--	270.134	270.347	270.104	270.033	270.478	--	--
112.022.037.*	--	270.134	270.347	270.104	270.033	270.478	--	--
112.025.042.*	--	270.443	--	--	270.238	270.110	270.534	--
112.030.052.*	--	270.443	--	--	270.238	270.110	270.534	--
112.035.060.*	--	--	--	--	--	--	270.451	270.452
112.040.071.*	--	--	--	--	--	--	270.451	270.452
112.045.077.*	--	--	--	--	--	--	270.451	270.452
112.060.091.*	--	--	--	--	--	--	270.042	--
112.085.102.*	--	--	--	--	--	--	270.216	--



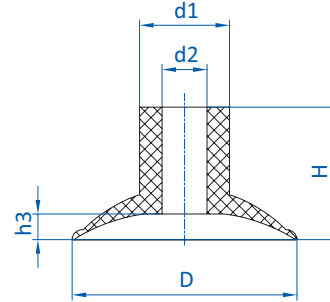
# Series | Flat vacuum cups SF

Flat vacuum cups universal – SFU-D

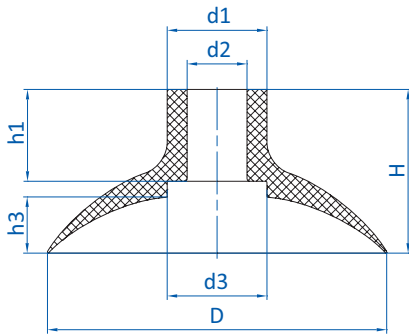
## Dimensions



Drawing A



Drawing B



Drawing C

Item no.	Drawing	Ø D [mm]	Ø d1 [mm]	Ø d2 [mm]	Ø d3 [mm]	H [mm]	h1 [mm]	h3 [mm]
112.004.001._*	A	4	3	1.5	--	7.5	--	--
112.005.002._*	A	5	3	1.5	--	8	--	--
112.006.003._*	A	6	3	1.5	--	8	--	--
112.008.007._*	B	8	5	2.8	--	8	--	1.6
112.010.011._*	B	10	6.7	3.8	--	10.5	--	1.9
112.012.015._*	B	12	8	4	--	11	--	1.7
112.015.022._*	B	15	8	4	--	12	--	2.5
112.018.024._*	B	18	8	3.9	--	11.5	--	2.3
112.020.031._*	B	20	8	4	--	12	--	2.3
112.022.037._*	B	22	8	4	--	13	--	2.5
112.025.042._*	B	25	12	6	--	16	--	4.3
112.030.052._*	B	30	12	6	--	17	--	4.4
112.035.060._*	B	35	15	10	--	16.5	--	5.2
112.040.071._*	B	40	15	10	--	16	--	4
112.045.077._*	B	45	15.5	10	--	17	--	7.5
112.060.091._*	C	60	15	10	25	23	10	9
112.085.102._*	C	85	25	15	25	41	23	14