



Series | Flat vacuum cups SF

Flat vacuum cups with a flexible lip – SFU-F

Flat vacuum cups with a flexible lip – SFU-F




Product description

Flat vacuum cups with a soft, very flexible single-lip seal for handling highly sensitive products.
Connection via plug-in nipple.
Compatible "snap-in" suspensions available.





Advantage

- > Gentle product handling
- > Very good fit to the product surface
- > Good seal over a slightly rough surface
- > Low volume of the cup enables fast cycle times
- > Cost-effective replacement of worn seals

Technical data

Item no.	Model / Lip dimensions		Material / Colour
102.004.216.*	SFU-F-4	1	NBR (sw), SI (tr)
102.006.217.*	SFU-F-6	1	NBR (sw), SI (tr)
102.008.218.*	SFU-F-8	1	NBR (sw), SI (tr)
102.010.219.*	SFU-F-10	1	NBR (sw), SI (tr)
102.015.220.*	SFU-F-15	2	NBR (sw), SI (tr)
102.020.221.*	SFU-F-20	2	NBR (sw), SI (tr)
102.030.222.*	SFU-F-30	2	NBR (sw), SI (tr)
102.040.223.*	SFU-F-40	2	NBR (sw), SI (tr)

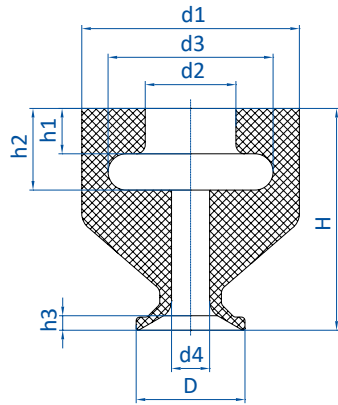
Accessories

Item no.	 Suitable fittings					 Suitable suspensions (Snap-In)					
	M5-male	M6-male	G1/8-male	G1/8-female	G1/4-male	Suspensions:		Hose outside Ø	Suspensions:		Hose outside Ø
102.004.216.*	270.200	--	270.064	270.065	--	50.018	8.5	4	50.019	8.5	6
102.006.217.*	270.200	--	270.064	270.065	--	50.018	8.5	4	50.019	8.5	6
102.008.218.*	270.200	--	270.064	270.065	--	50.018	8.5	4	50.019	8.5	6
102.010.219.*	270.200	--	270.064	270.065	--	50.018	8.5	4	50.019	8.5	6
102.015.220.*	270.200	--	270.064	270.065	--	50.018	8.5	4	50.019	8.5	6
102.020.221.*	270.317	270.103	270.205	270.109	270.194	50.020	8.5	6	--	--	--
102.030.222.*	270.317	270.103	270.205	270.109	270.194	50.020	8.5	6	--	--	--
102.040.223.*	270.317	270.103	270.205	270.109	270.194	50.020	8.5	6	--	--	--

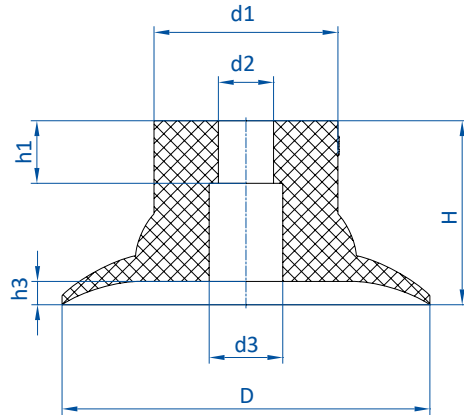
* Material code: NBR = 1, SI = 2



Dimensions



Drawing A



Drawing B

Item no.	Drawing	∅ D [mm]	∅ d1 [mm]	∅ d2 [mm]	∅ d3 [mm]	∅ d4 [mm]	H [mm]	h1 [mm]	h2 [mm]	h3 [mm]
102.004.216.*	A	3.8	12	5	9	1.1	12	2.5	4.5	0.7
102.006.217.*	A	6	12	5	9	2.1	12.5	2.5	4.5	0.8
102.008.218.*	A	8	12	5	9	2	12.5	2.5	4.5	1.7
102.010.219.*	A	10.5	12	5	9	3	14.5	2.5	4.5	4.2
102.015.220.*	A	16	12	5	9.5	3.3	14	2.4	4.7	2.3
102.020.221.*	B	20	12	4.5	6	--	15	4.7	--	2.1
102.030.222.*	B	30	15	4.5	6	--	15	5	--	1.9
102.040.223.*	B	40	19.5	4.7	6.5	--	15	5	--	2

* Material code: NBR = 1, SI = 2