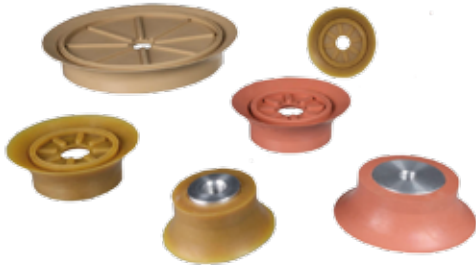




# Series | Flat vacuum cups SF

Flat vacuum cups for textured surfaces – SFU-R

## Flat vacuum cups for textured surfaces – SFU-R



### Product description

Flat vacuum cups with safety sealing lips to handle rough surfaces, as well as smooth but very uneven products. Connection via an interlocking, snap-in aluminum plate.

### Advantage

- > Leak-free gripping of many difficult product surfaces thanks to extremely flexible thinly tapered sealing lip
- > High stability under lateral forces
- > Optimum process reliability due to additional double lip seal
- > Cleats help prevent warping of the product
- > Cost-effective tool-free changing of worn seals

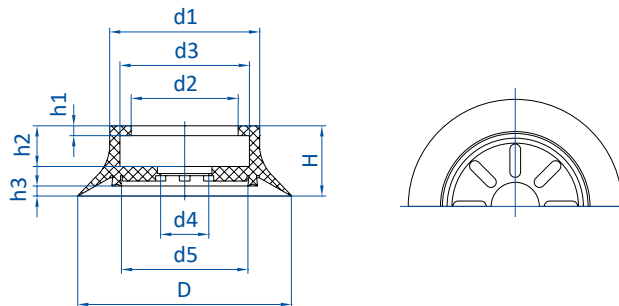
### Technical data

Item no.	Model / Lip dimensions	↓	Material / Colour
102.040.357.*	SFU-R-40	3	SI (tr), NR (br)
102.070.234.*	SFU-R-70	6	NBR (gr), SBR (br), SI (tr), NR (bg), NR (br)
102.100.269.*	SFU-R-100	5	SBR (br), NBR (gr), NR (br)
102.200.350.*	SFU-R-200	5	NR (w)

### Accessories

Item no.	Suitable fittings		
	G1/8-female	G1/4-female	G1/2-female
102.040.357.*	270.234	--	--
102.070.234.*	--	270.179	--
102.100.269.*	--	270.180	--
102.200.350.*	--	--	270.335

### Dimensions



Item no.	Ø D [mm]	Ø d1 [mm]	Ø d2 [mm]	Ø d3 [mm]	Ø d4 [mm]	Ø d5 [mm]	H [mm]	h1 [mm]	h2 [mm]	h3 [mm]
102.040.357.*	40	26	17.5	21	8	21	12.5	2.9	6	2.5
102.070.234.*	70	50	33	43	14	40	30	3.5	17	5.4
102.100.269.*	100	70	50	61	23	59	33	4.6	19	4.7
102.200.350.*	200	168	148	158	25	158	31	5	18.5	3.2