



Series | Flat vacuum cups SF

Flat vacuum cups with double safety sealing lips – SFU-S

Flat vacuum cups with double safety sealing lips – SFU-S




Product description

Flat vacuum cups with dual internal safety sealing lip as well as vulcanized carrier plate made of aluminum.

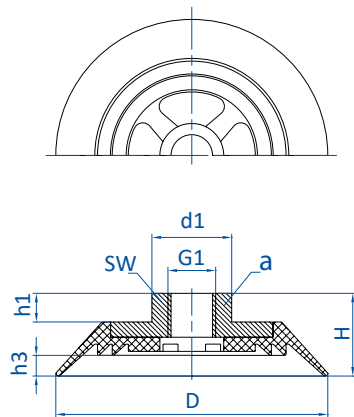
Advantage

- > High process reliability through multiple sealing lip
- > Excellent lateral stability due to vulcanized carrier plate, as well as rubberized support surfaces for the product

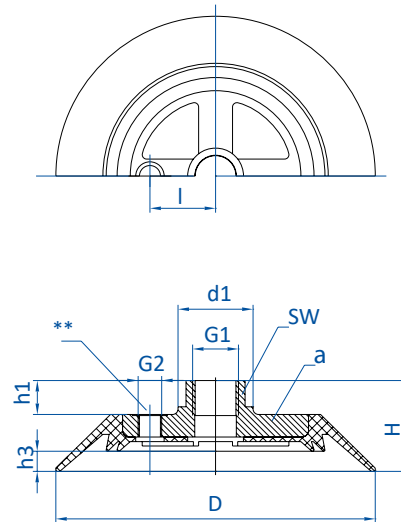
Technical data

Item no.	Model / Lip dimensions	Connection thread		Material / Colour
150.030.031._*	SFU-S-30	M5-female	3	SI (r), CR (sw)
150.050.032._*	SFU-S-50	G1/8-female	5.5	SI (r), FKM (sw), CR (sw)
150.075.033._*	SFU-S-75	G1/4-female	6	SI (r), FKM (sw), CR (sw)
150.100.034._*	SFU-S-100	G3/8-female	9	NBR (sw), SI (tr), NR (w)
150.150.010._*	SFU-S-150	G1/2-female	9	SI (gr), CR (gr)
150.225.018._*	SFU-S-225	G3/4-female	9.5	SI (gr), CR (gr)

Dimensions



Drawing A



Drawing B

a = Aluminum ** = Vacuum connection at the side possible

* Material code: NBR = 1, SI = 2, NR = 3, FKM = 7, CR = 9

Series | Flat vacuum cups SF

Flat vacuum cups with double safety sealing lips – SFU-S



Item no.	Drawing	Ø D [mm]	l [mm]	Ø d1 [mm]	G1	G2	H [mm]	h1 [mm]	h3 [mm]	SW
150.030.031.*	A	29	--	10	M5	--	17.5	7	3	8
150.050.032.*	A	50	--	18	G1/8	--	18.5	7	5.5	14
150.075.033.*	A	75	--	22	G1/4	--	23	8	5.5	17
150.100.034.*	A	100	--	30	G3/8	--	30	10	9	24
150.150.010.*	B	146	30	34	G1/2	G1/8	42	15.5	9	27
150.225.018.*	B	223	50	49	G3/4	G1/8	52	20	9.5	40