



Signal transmitters M8 – without logics

COLLECTION AND TRANSMISSION OF SENSOR SIGNALS



Product notes

- > Transmits up to twelve sensor signals to the robot controller
- > Suitable for PNP/NPN sensors or 2-pole actuators
- > LED switching status display
- > Signals can be coupled via the external robot controller
- > 20.540: Usage temperature: -20 - 80 °C (-4 - 176 °F)
- > 20.540: Protection (IEC 60529): IP 65 (in fully nounted position)
- > Common output:
 - 20.540: 8-pole M12 plug, 1.9 m, open end, wire color to DIN 47100/11.79
 - 20.541 and 20.542: 15-pole D-sub-plug, cable length 2 m, open end, wire color to DIN 47100/11.79

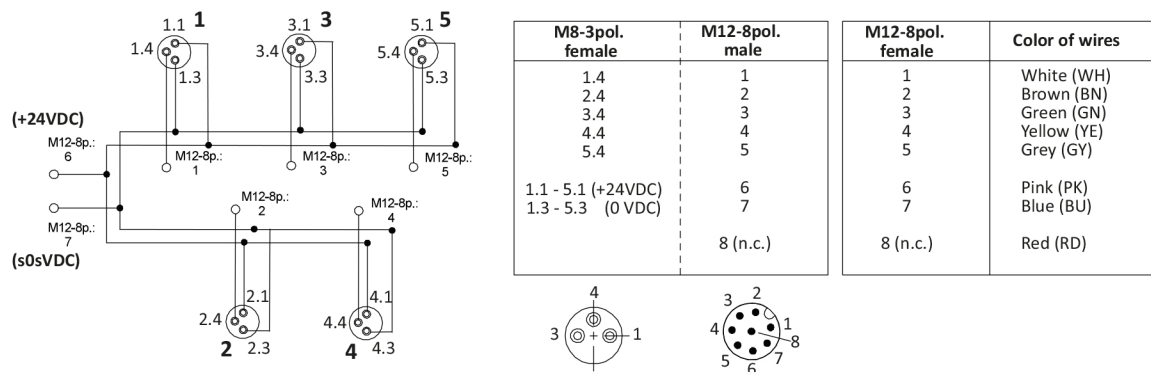
Technical data

Item no.	Number of slots M8	Power supply [V]	Weight [g]
20.540	5	24	65
20.541	8	24	120
20.542	12	24	250

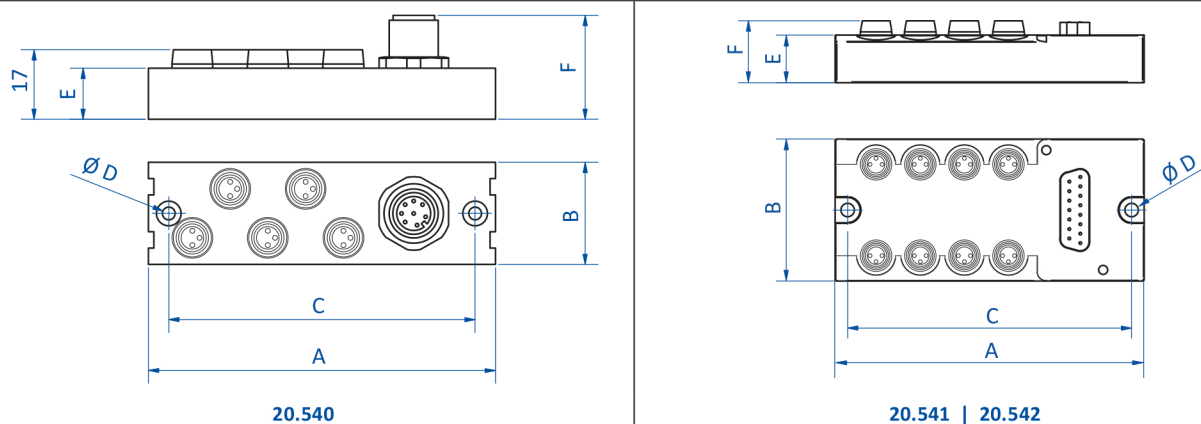
Pin assignment: M8 jack according to IEC 947-5-2

- > Slot 0-7, or 0-11:
Signal line: socket 4
DC 24 V: socket 1
0 V: socket 3

Pin assignment 20.540



Dimensions



Item no.	A [mm]	B [mm]	C [mm]	Ø D [mm]	E [mm]	F [mm]
20.540	85	25	75	3.1	12.5	25.45
20.541	98	45	90	4.3	15.1	19.6
20.542	125.6	45	117.6	4.3	15.1	19.6