



### Signal converters M8 / signal inverter M8

**CONVERT SENSOR SIGNALS INDEPENDENT OF ROBOT CONTROLLER**



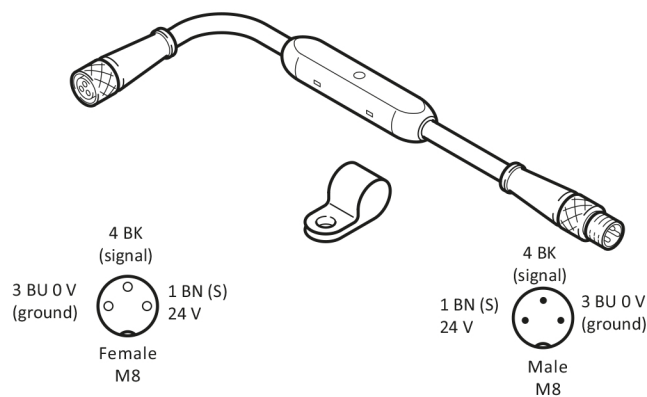
#### Product notes

- > Signal converter/signal inverter comes in two types:
  - PNP inverter 20.530 for grippers with indirect part detection
  - PNP-NPN converter 20.531 for using PNP sensors in NPN circuits
- > LEDs to display status and switching state
- > Using model 20.530 with grippers with indirect part detection, enables signal activation if a part has been gripped
- > Recommended for use with grippers GR04.091, GR04.111A, GR04.130F

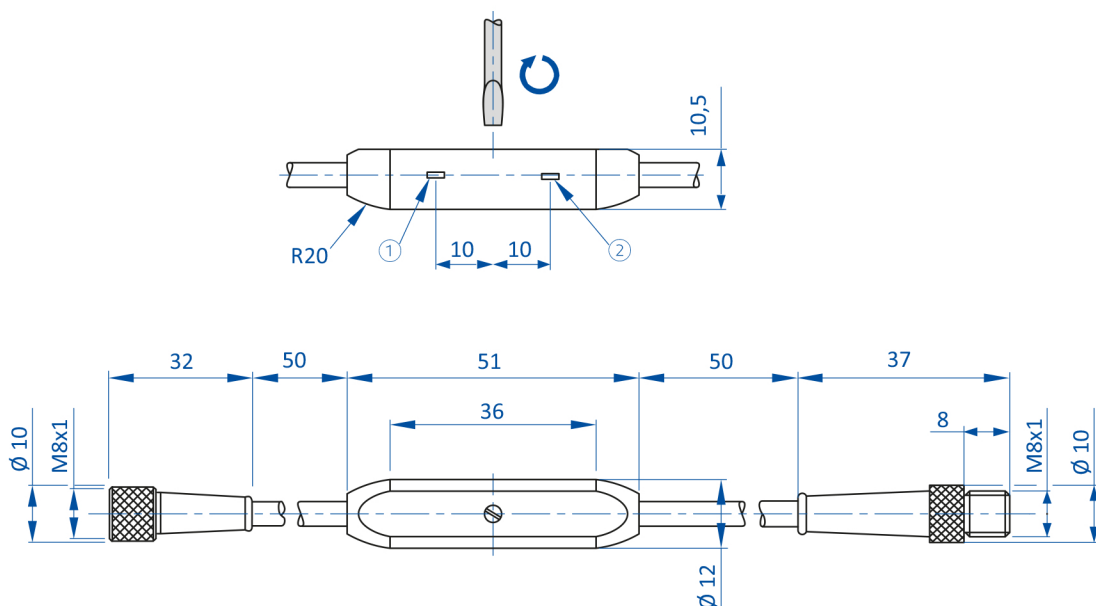
#### Technical data

Item no.	20.530	20.531
Input signal	PNP	PNP
Output signal	PNP	NPN
Connection	M8x1	M8x1
Max. ampacity [mA]	200	200
Operating voltage [VDC]	10 - 35	10 - 35
Current consumption [mA]	< 20	< 20
Max. switching frequency [Hz]	3,500	5,000
Minimum pulse duration [ms]	> 0.1	> 0.1
Protection class	IP67	IP67
Ambient air temperature [°C (°F)]	-25 - 70 (-13 - 158)	-25 - 70 (-13 - 158)
Weight [g]	17	17

#### Plug assignment



#### Dimensions



① = LED status    ② = LED switching output