

## Vacuum cups | Oval vacuum cups series

Vinyl oval bellows cups – SO-BV

Vinyl oval bellows cups – SO-BV



### Product notes

Durable oval vacuum cup with height adjustment made of snug-fitting, wear-resistant material. Very well suited for handling abrasive products such as cardboard. Flexible material enables low-leakage gripping of highly flexible products such as foil-packaged goods. Connection via plug-in nipple or vulcanized carrier plate.


### Advantage

- > Significantly increased suction force compared to round vacuum cups of the same width
- > Bellows compensates for differences in height and enables good adaptation to curved or uneven product surfaces
- > Flexible, soft lips
- > Long life cycle

### Technical data

Item no.	Model		Number of folds	Material / Color
138.35x28.001.V	SO-BV-35x28	9	2.5	Vinyl (bl)
138.35x28.048.V	SO-BV-35x28A	9	2.5	Vinyl (bl)
138.45x28.013.V	SO-BV-45x28	9	2.5	Vinyl (bl)
130.97x55.126.V	SO-BV-100x55	11	1.5	Vinyl (bl)

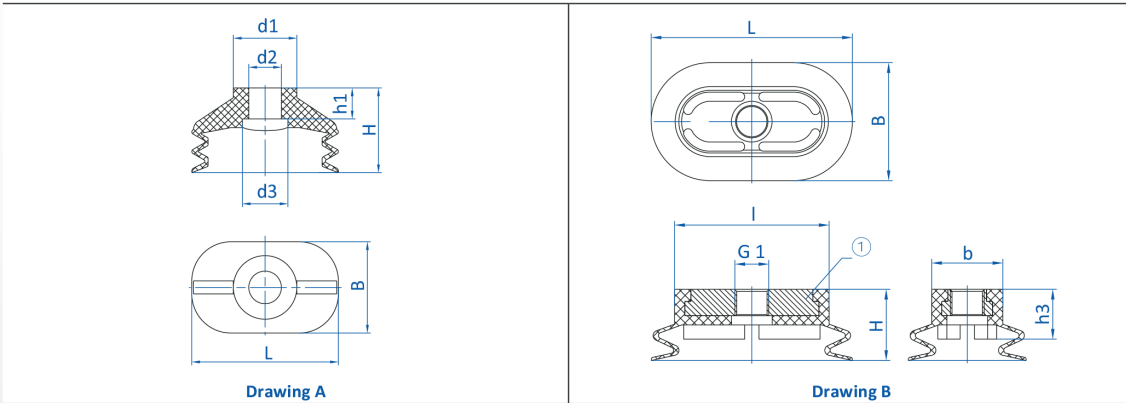
### Accessories

Item no.	 Suitable fittings		
	M10-male	G1/4-male	G1/4-female
138.35x28.001.V	270.177	270.451	270.452
138.35x28.048.V	270.177	270.451	270.452
138.45x28.013.V	270.177	270.451	270.452
130.97x55.126.V	--	--	--

## Vacuum cups | Oval vacuum cups series

Vinyl oval bellows cups – SO-BV

### Dimensions



① = Aluminum

Item no.	Drawing	L [mm]	B [mm]	b [mm]	$\varnothing d1$ [mm]	$\varnothing d2$ [mm]	$\varnothing d3$ [mm]	G1	H [mm]	h1 [mm]	h3 [mm]
138.35x28.001.V	A	35	28	--	19.5	10	14	--	24	8.5	--
138.35x28.048.V	A	35	28	--	19.5	10	14	--	26	8.5	--
138.45x28.013.V	A	45	28	--	19.5	10	14	--	26	9.5	--
130.97x55.126.V	B	99	58	35	--	--	--	G3/8	35	--	25