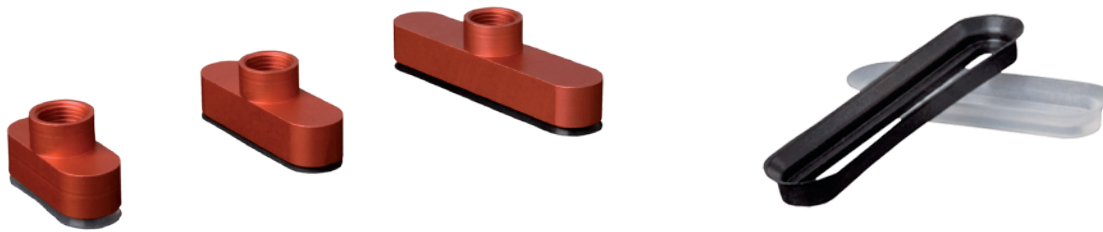




Oval vacuum cups, flat – SO-C




Product notes

Flat vacuum cups in oval design for elongated workpieces where only minimal space is available (e.g. rails, profiles, tubes, bolts, etc.). Vacuum chamber housing of anodized aluminum. Rubber sealing lip is fixed by a screwed rubber clamping plate.

Advantage

- > Significantly increased suction force compared to round vacuum cups of the same width
- > Warp-resistant aluminum housing
- > Cost-effective replacement of worn seals

Technical data

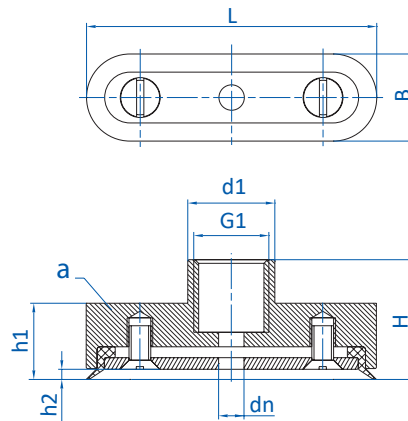
Item no.	Model	Connection thread		Material / Color
130.30x12.057.*	SO-C-30x12	G1/8-female	1	SI (tr), NR (sw)
130.40x12.058.*	SO-C-40x12	G1/8-female	1	SI (tr), NR (sw)
130.55x12.082.*	SO-C-55x12	G1/8-female	1	NBR (sw), SI (tr), NR (sw)

Accessories

Spare sealing lip

132.30x12.025.*
132.40x12.027.*
132.55x12.029.*

Dimensions



a = Aluminum

Item no.	L [mm]	B [mm]	Ø d1 [mm]	Ø dn [mm]	G1	H [mm]	h1 [mm]	h2 [mm]
130.30x12.057.*	30	12	12	3.5	G1/8	16.5	10	1.3
130.40x12.058.*	40	12	12	3.5	G1/8	16.5	10	1.4
130.55x12.082.*	55	12	12	3.5	G1/8	16.5	10	1.5

* Material code: NBR = 1, SI = 2, NR = 3