



Series | Oval vacuum cups SO

Oval vacuum cups for cylindrical products – SO-Z

Oval vacuum cups for cylindrical products – SO-Z



Product description

Oval vacuum cup for cylindrical products such as pins, needles, tubes, etc.
Connection via plug-in nipple, hollow screw (SO-Z-10-18) or direct plug-in to the machine (SO-Z-4-10).

Advantage

- > Significantly greater suction force over normal oval vacuum cups due to three-dimensional oval suction lip contour partially encompassing the workpiece
- > Cost-effective replacement of worn seals

Technical data

Item no.	Model / Lip dimensions	Suitable for cylindrical products with \varnothing [mm]	Material / Colour
201.10x3.005_*	SO-Z-2-4	2 - 4	NBR (sw), SI (tr)
201.10x6.006_*	SO-Z-3-7	3 - 7.5	NBR (sw), SI (tr)
132.15x7.073_*	SO-Z-4-10	4 - 10	SI (r)
201.12x9.007_*	SO-Z-6-13	6 - 13	NBR (sw), SI (tr)
9.23x11.036_*	SO-Z-10-18	10 - 18	SI (tr)

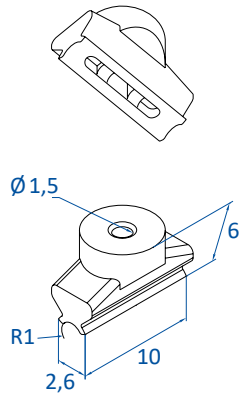
Accessories

Item no.	Suitable fittings		
	M5-male	G1/8-male	G1/8-female
201.10x3.005_*	270.300	--	--
201.10x6.006_*	270.300	--	--
132.15x7.073_*	--	--	--
201.12x9.007_*	270.300	--	--
9.23x11.036_*	270.310	270.493	270.494

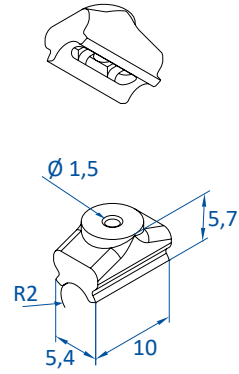
* Material code: NBR = 1, SI = 2



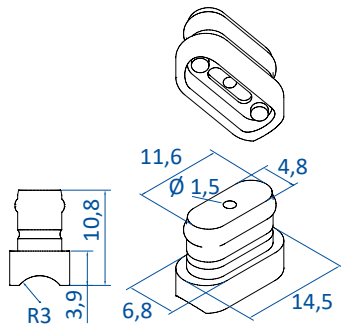
Dimensions



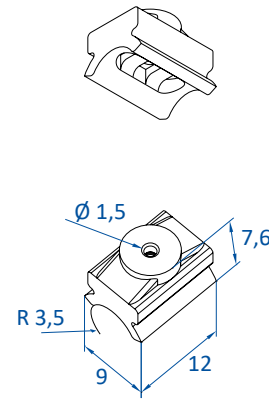
Drawing A



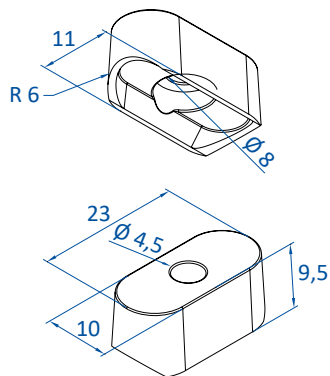
Drawing B



Drawing C



Drawing D



Drawing E

Item no.	Drawing
201.10x3.005._*	A
201.10x6.006._*	B
132.15x7.073._*	C
201.12x9.007._*	D
9.23x11.036._*	E

* Material code: NBR = 1, SI = 2