



Series | Oval vacuum cups SO

Oval vacuum suction plates for textured surfaces – SOPL-R

Oval vacuum suction plates for textured surfaces – SOPL-R




Product description

Oval vacuum cups for handling both rough surfaces and smooth, markedly uneven products.
Connection via vulcanized aluminum plate.

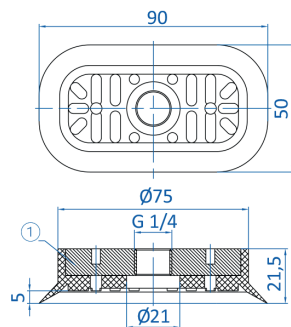
Advantage

- > Leak-free gripping of difficult product surfaces thanks to extremely flexible, thinly tapered sealing lip
- > Cleats help prevent warping of the product
- > Optimum process reliability due to vulcanized backing plate, as well as additional internal safety sealing lip (190x90 mm and 120x65 mm)

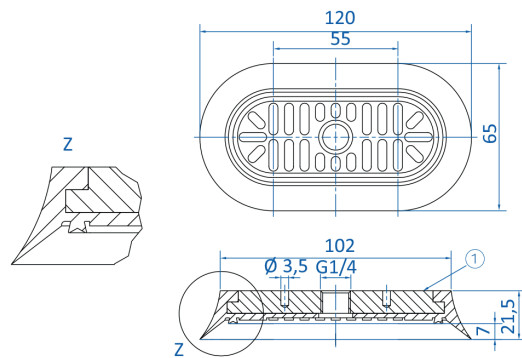
Technical data

Item no.	Model / Lip dimensions	Connection thread	Material / Colour		Weight [g]
130.90x50.113._*	SOPL-R-90x50	G1/4-female	NR (bg)	5	72
9.120x65.088._*	SOPL-R-120x65	G1/4-female	NR (bg)	7	131
9.190x90.061._*	SOPL-R-190x90	G1/4-female	NR (bg)	5.5	295

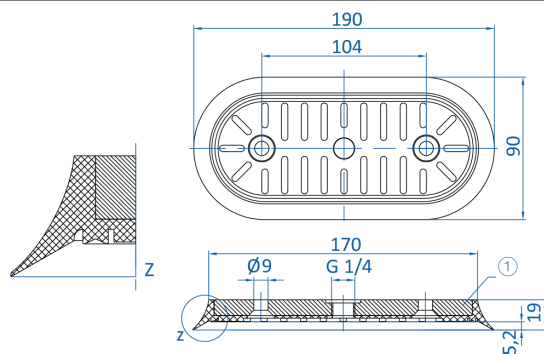
Dimensions



Drawing A



Drawing B



Drawing C

① = Aluminum

Item no.	Drawing
130.90x50.113._*	A
9.120x65.088._*	B
9.190x90.061._*	C