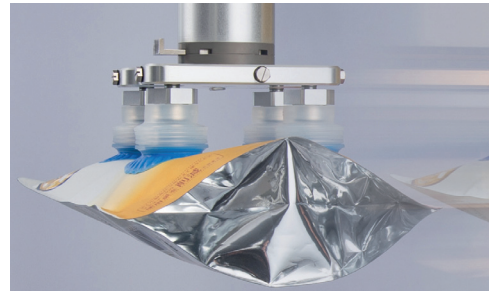


Vacuum cups | Bellows vacuum cups series

Bellows cups 3.5 folds – SV-BG3

Bellows cups 3.5 folds – SV-BG3



Product notes

Two-component bellows vacuum cups with 3.5 folds for bag handling in the packaging industry.
Use for handling filled pouches and a wide variety of film packaging.
Soft, conformable sealing lip in 40° shore A.
Non-detachably vulcanized, robust bellows area made of silicone in 70° Shore A.


Advantage

- > Best possible sealing even on pouches with strong wrinkle formation
- > Ideal stability and hold with short cycle times and high acceleration
- > Compact design allows fast cycles

Notes:

- > The vacuum cups must always be used in conjunction with a move-in guard to prevent film from being drawn in.
- > Accessories, such as suitable holders and the move-in guards, are not included in the scope of delivery, please order separately


Technical data

Item no.	Model		Number of folds	Material / Color
25.030.095.8	SV-BG3-30	6	3.5	SI 70°/40° (tr/bl)
25.040.096.8	SV-BG3-40	7	3.5	SI 70°/40° (tr/bl)
25.050.097.8	SV-BG3-50	9	3.5	SI 70°/40° (tr/bl)

Accessories

Move-in guard curved	Move-in guard flat
78.525-s	78.525-f
78.526-s	78.526-f
78.527-s	78.527-f

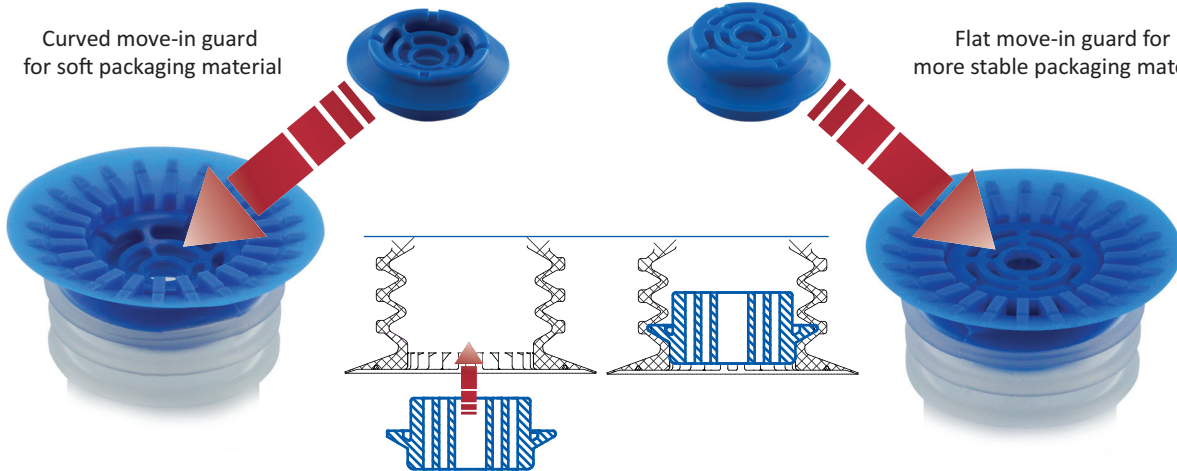
Accessories

Item no.	 Suitable fittings		
	G1/8-male	G1/4-male	G3/8-male
25.030.095.8	270.776	270.777	270.778
25.040.096.8	270.776	270.777	270.778
25.050.097.8	270.776	270.777	270.778

Two variants of differently shaped support grids clipped into the lower fold

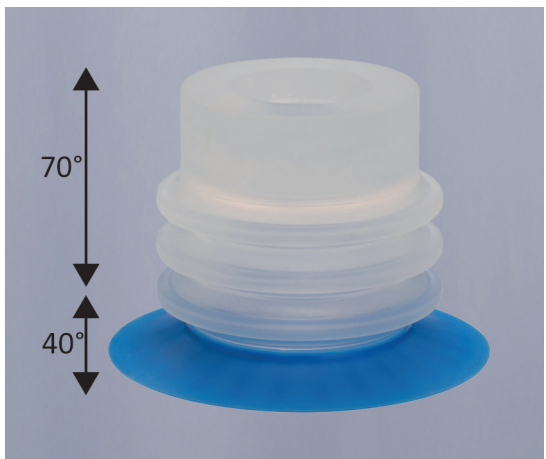
Curved move-in guard
for soft packaging material

Flat move-in guard for
more stable packaging material



Easy clipping into the lower fold of the vacuum cup

Application example



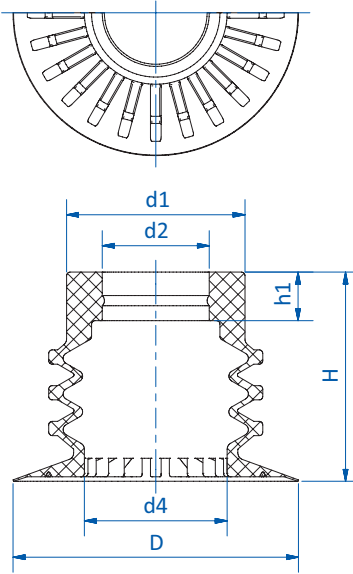
The non-detachable vulcanized, robust bellows area made of silicone 70° Shore A ensures the best possible stability and hold with short cycle times and high acceleration.

The soft, conformable sealing lip ensures the best possible seal even on bags with severe wrinkling.

Vacuum cups | Bellows vacuum cups series

Bellows cups 3.5 folds – SV-BG3

Dimensions



Item no.	Ø D [mm]	Ø d1 [mm]	Ø d2 [mm]	Ø d4 [mm]	h1 [mm]	H [mm]
25.030.095.8	30	25	15	15	6.8	25
25.040.096.8	40	25	15	20	6.8	29.3
25.050.097.8	50	25	15	25	6.8	33.8