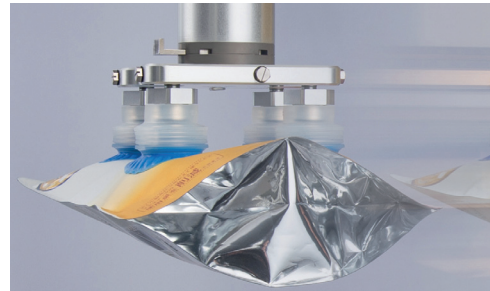


# Vacuum cups | Bellows vacuum cups series

Bellows cups 5.5 folds – SV-BG5

## Bellows cups 5.5 folds – SV-BG5



### Product notes

Two-component bellows vacuum cups with 5.5 folds for bag handling in the packaging industry.  
Use for handling liquid or powder filled pouches and a wide variety of film packaging.  
Soft, conformable sealing lip in 40° shore A.  
non-detachable vulcanized, robust bellows area made of silicone in 70° Shore A.


### Advantage

- > Best possible sealing even on pouches with strong wrinkle formation
- > Ideal stability and hold for short cycle times and high acceleration
- > 5.5 bellows absorb shocks and vibrations
- > Adapts optimally to inclined surfaces

### Notes:

- > The vacuum cups must always be used in conjunction with a move-in guard to prevent film from being drawn in
- > Accessories, such as suitable holders and the move-in guards, are not included in the scope of delivery, please order separately


### Technical data

Item no.	Model		Number of folds	Material / Color
25.030.098.8	SV-BG5-30	10	5.5	SI 70°/40° (tr/bl)
25.040.099.8	SV-BG5-40	12	5.5	SI 70°/40° (tr/bl)
25.050.100.8	SV-BG5-50	15	5.5	SI 70°/40° (tr/bl)

### Accessories

Move-in guard curved	Move-in guard flat
78.525-s	78.525-f
78.526-s	78.526-f
78.527-s	78.527-f

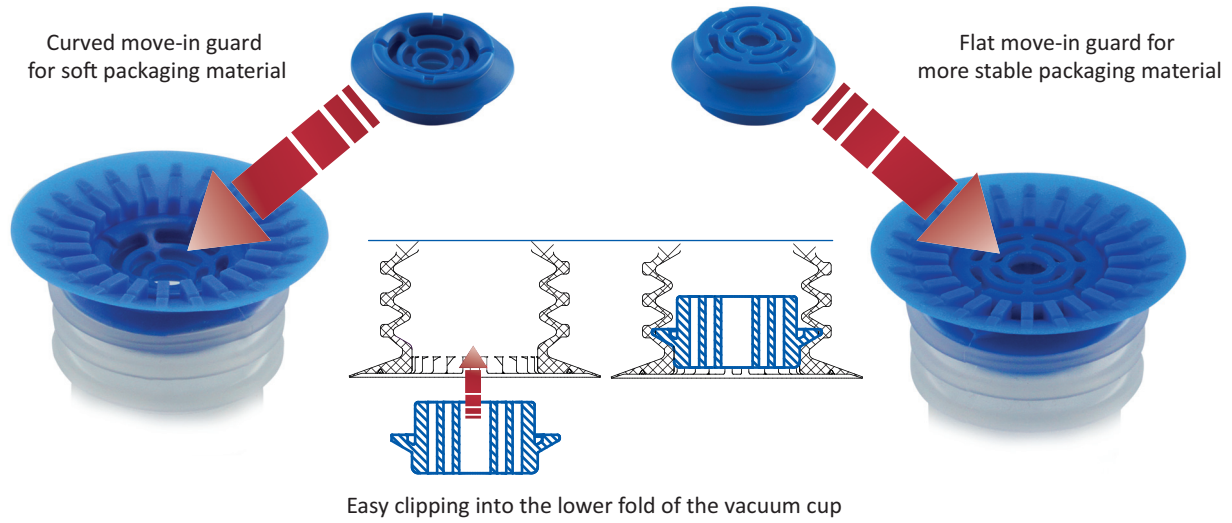
### Accessories

Item no.	 Suitable fittings		
	G1/8-male	G1/4-male	G3/8-male
25.030.098.8	270.776	270.777	270.778
25.040.099.8	270.776	270.777	270.778
25.050.100.8	270.776	270.777	270.778

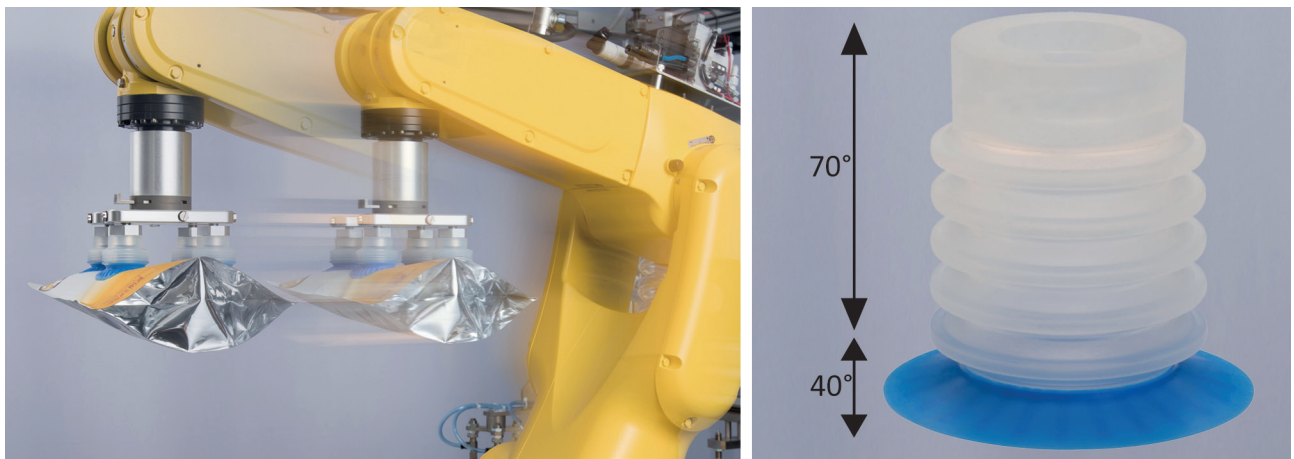
# Vacuum cups | Bellows vacuum cups series

Bellows cups 5.5 folds – SV-BG5

## Two variants of differently shaped support grids clipped into the lower fold

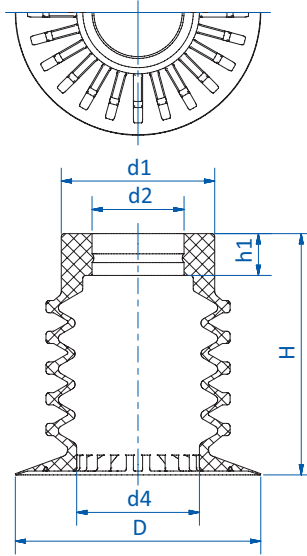


## Application example



The non-detachable vulcanized, robust bellows area made of silicone 70° Shore A ensures the best possible stability and hold with short cycle times and high acceleration.  
The soft, conformable sealing lip ensures the best possible seal even on bags with severe wrinkling.

### Dimensions



Item no.	$\varnothing D$ [mm]	$\varnothing d1$ [mm]	$\varnothing d2$ [mm]	$\varnothing d4$ [mm]	$h1$ [mm]	$H$ [mm]
25.030.098.8	30	25	15	15	6.8	33
25.040.099.8	40	25	15	20	6.8	39.3
25.050.100.8	50	25	15	25	6.8	45.8