



# Nipper technology | Accessories

Mounting clamps for air nippers

## Mounting clamps for air nippers



Air nipper GT-NR20 with mounting clamp

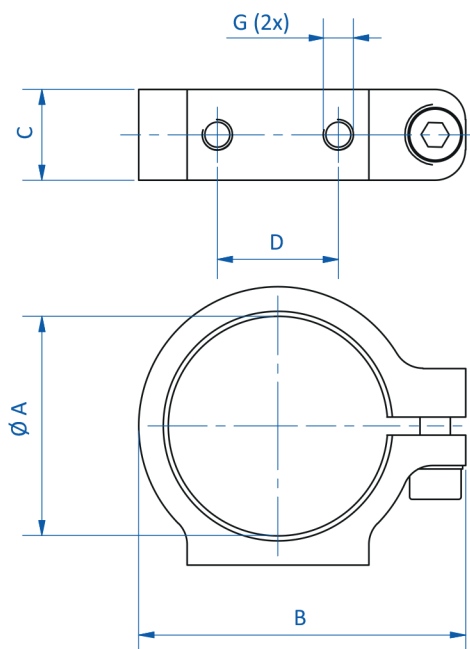
### Product notes

- > Space-saving assembly of air nippers on extrusions and special machines
- > The clamps are part of air nipper fittings GT-NR10ST2 to GT-NR30ST2

### Technical data

Item no.	Weight [g]	Air nippers
GT-NR10S	36	GT-NR10L
GT-NR20S	39	GT-NR20
GT-NR30S	46	GT-NR30
GT-NR50S	58	GT-NR50

### Dimensions



Item no.	Ø A [mm]	B [mm]	C [mm]	D [mm]	G
GT-NR10S	36	54	15	20	M5
GT-NR20S	45	62.5	15	20	M5
GT-NR30S	56	73.5	15	20	M5
GT-NR50S	75	92.5	15	20	M5