



### Short angle clamps



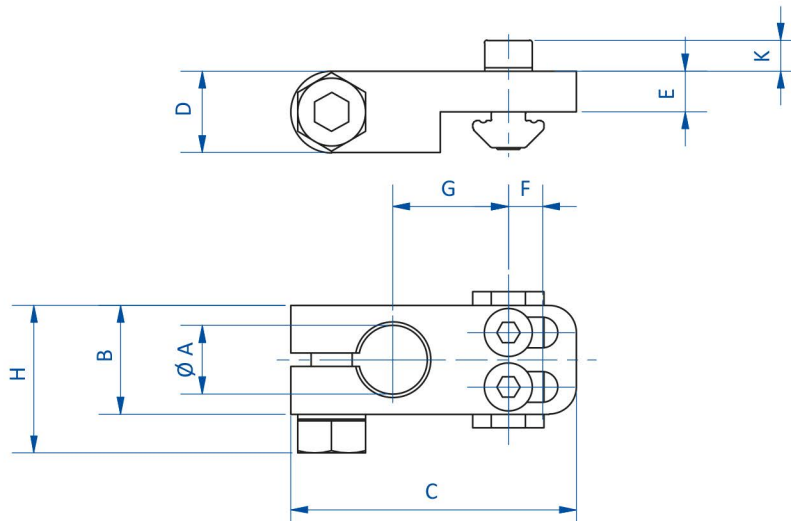
#### Product notes

- > For 90° mounting of gripper components
- > Slotted holes allow for use with profiles from 20 mm to 30 mm in size

#### Technical data

| Item no.    | Suitable for extrusion system | Weight [g] |
|-------------|-------------------------------|------------|
| GR02.001A   | SLine / MLine                 | 26         |
| GR02.003A   | SLine / MLine                 | 52         |
| GR02.004    | SLine / MLine                 | 41         |
| GR02.005    | SLine / MLine                 | 73         |
| GR-XL02.003 | XLine                         | 114        |
| GR-XL02.005 | XLine                         | 122        |

#### Dimensions



| Item no.    | Ø A [mm] | B [mm] | C [mm] | D [mm] | E [mm] | F [mm] | G [mm] | H [mm] | K [mm] |
|-------------|----------|--------|--------|--------|--------|--------|--------|--------|--------|
| GR02.001A   | 10       | 16     | 42     | 12     | 6      | 5      | 17     | 21.7   | 4.5    |
| GR02.003A   | 20       | 25     | 52     | 12     | 6.5    | 5      | 22     | 30.7   | 5.6    |
| GR02.004    | 14       | 20     | 46     | 12     | 6.5    | 5      | 19     | 25.7   | 5.6    |
| GR02.005    | 30       | 35     | 62     | 20     | 10     | 5      | 27     | 40.7   | 5.6    |
| GR-XL02.003 | 20       | 30     | 73     | 15     | 6      | 10     | 32     | 35.7   | 8.8    |
| GR-XL02.005 | 30       | 35     | 82     | 20     | 10     | 10     | 37     | 40.7   | 8.8    |