



## Profile – Tube – Adapter



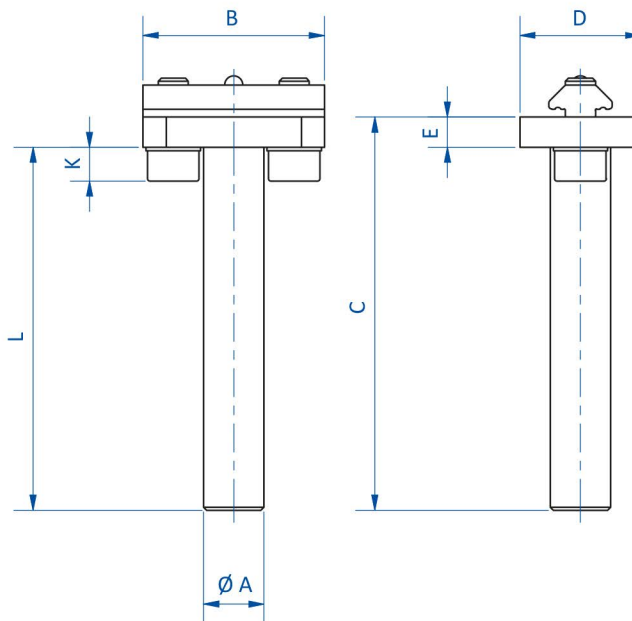
### Product notes

> For the transition from profile systems to a tubular system

### Technical data

Item no.	Suitable for extrusion system	Weight [g]
GR01.110	SLine / MLine	28
GR01.111	SLine / MLine	41
GR01.112	SLine / MLine	48

### Dimensions



Item no.	$\phi A$ [mm]	B [mm]	C [mm]	D [mm]	E [mm]	K [mm]	L [mm]
GR01.110	10	30	65	20	5	5.6	60
GR01.111	14	35	85	20	5	5.6	80
GR01.112	20	42	105	20	5	5.6	100