



Threaded slot nuts



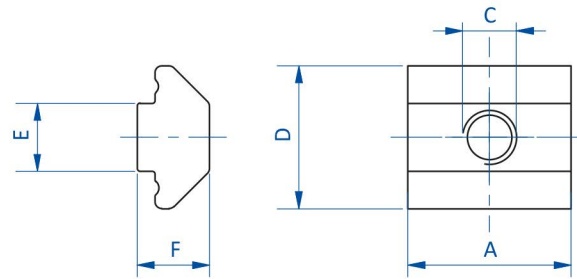
Product notes

- > Galvanized steel slot nuts
- > Ball catch prevents slipping of slot nut during installation
- > Compatible with many third-party extrusions

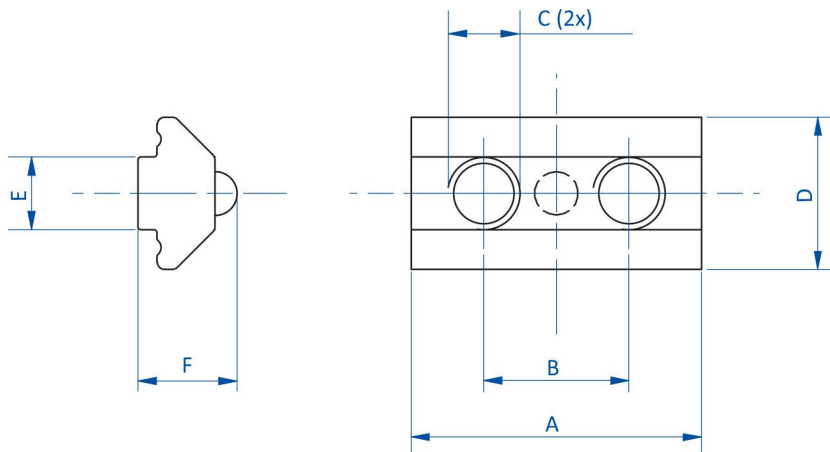
Technical data

Item no.	Suitable for extrusion system	With ball catch	Weight [g]
GR01.088A	SLine / MLine	No	2
GR01.089A	SLine / MLine	No	3
GR01.090A	SLine / MLine	No	6
GR01.091A	SLine / MLine	Yes	6
GR01.092A	SLine / MLine	Yes	8
GR01.093A	SLine / MLine	Yes	9
GR01.094A	SLine / MLine	Yes	12
GR01.095A	SLine / MLine	Yes	13
GR01.096A	SLine / MLine	Yes	20
GR01.097A	SLine / MLine	No	2
GR01.098A	SLine / MLine	No	5
GR01.101A	SLine / MLine	Yes	12
GR01.102A	SLine / MLine	Yes	20
GR01.103	MLine	Yes	4
GR01.104	MLine	No	7
GR01.105	MLine	No	16
GR-XL01.100	XLine	Yes	17
GR-XL01.101	XLine	Yes	21
GR-XL01.102	XLine	Yes	35
GR-XL01.103	XLine	Yes	57
GR-XL01.104	XLine	Yes	94
GR-XL01.106	XLine	Yes	18

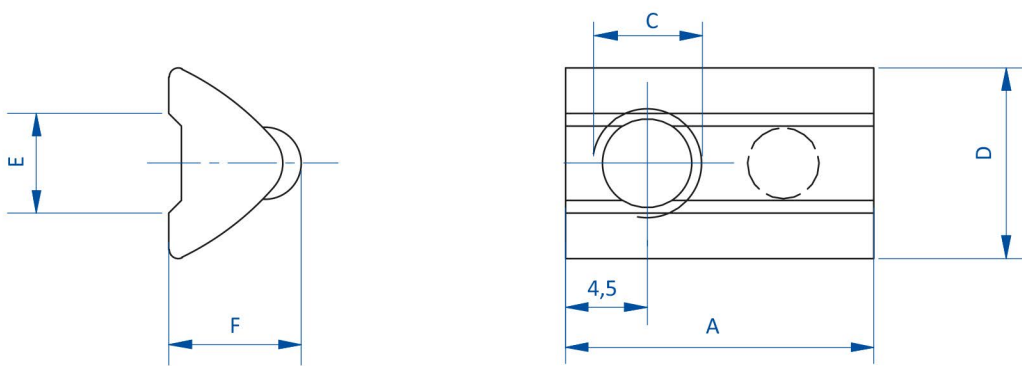
Dimensions



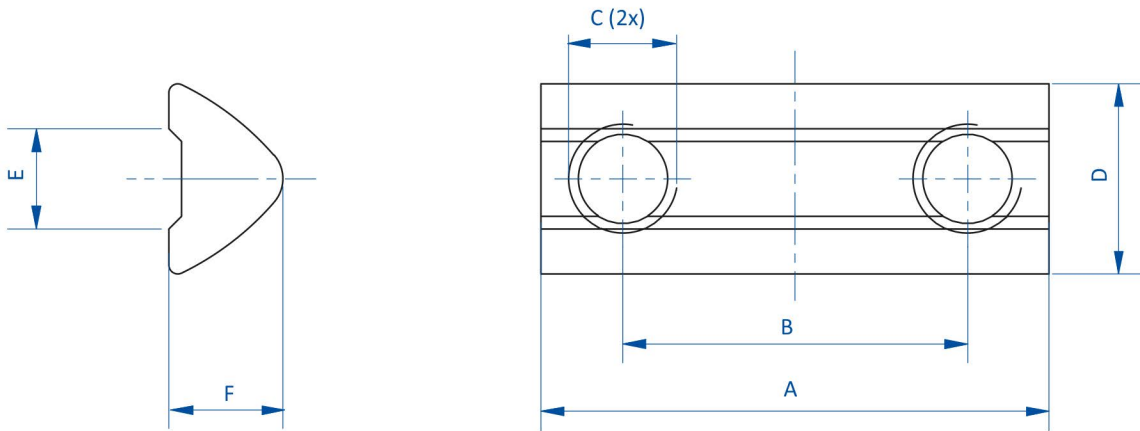
GR01.088A | GR01.089A | GR01.097A | GR01.098A | GR-XL01.100 | GR-XL01.106



GR01.090A | GR01.091A | GR01.092A | GR01.093A | GR01.094A | GR01.095A | GR01.096A | GR01.101A | GR01.102A | GR-XL01.101 | GR-XL01.102 | GR-XL01.103 | GR-XL01.104



GR01.103



GR01.104 | GR01.105

Item no.	C	A [mm]	B [mm]	D [mm]	E [mm]	F [mm]
GR01.088A	M3	12	--	10.5	4.5	5.3
GR01.089A	M4	12	--	10.5	4.5	5.3
GR01.090A	M4	20	8	10.5	5	6.8
GR01.091A	M5	20	10	10.5	5	6.8
GR01.092A	M5	25	12	10.5	5	6.8
GR01.093A	M5	30	20	10.5	5	6.8
GR01.094A	M5	35	25	10.5	5	6.8
GR01.095A	M5	40	30	10.5	5	6.8
GR01.096A	M5	60	50	10.5	5	6.8
GR01.097A	M5	12	--	10.5	5	6.8
GR01.098A	M5	20	--	10.5	5	6.8
GR01.101A	M5	45	35	10.5	5	6.8
GR01.102A	M5	70	60	10.5	5	6.8
GR01.103	M6	17	--	10.5	5.5	7.3
GR01.104	M6	28	17	10.5	5.5	6.3
GR01.105	M6	58	47	10.5	5.5	6.3
GR-XL01.100	M8	22	--	17	8	12.1
GR-XL01.101	M8	30	15	17	8	12.1
GR-XL01.102	M8	45	30	17	8	12.1
GR-XL01.103	M8	70	55	17	8	12.1
GR-XL01.104	M8	110	95	17	8	12.1
GR-XL01.106	M6	22	--	17	8	12.1